



Zoom

Technical Specification

Zoom Products

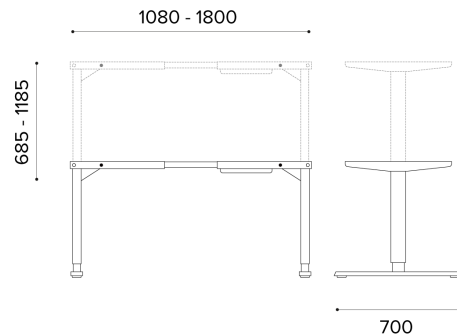
Single



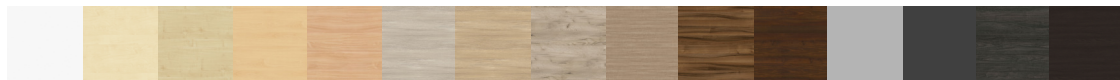
Frame



Dimensions



Colour Options:



Frame Colour Options:



White

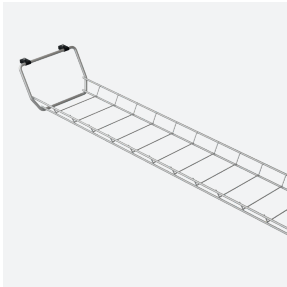


Silver

Zoom Options

Available Top Types: Plain, Portals or Scallops

Top depths 700 and 800mm, Top widths 1200, 1400, 1600 and 1800mm.



Wire Cable Basket

800mm (1200mm - 1400mm Desk tops) and 1200mm versions (1600mm - 1800mm top widths). Available in White, Black or Silver.



Cable Chain

White, Black or Silver



Magnetic Cable Protector

White, Black or Silver

Technical Specifications

- Height 685 - max 1185mm, stroke: 500mm
- Available in 2 depths of top: 700mm & 800mm
- Frames to fit widths of top: 1200, 1400, 1600, 1800mm
- Speed 40mm/s
- Lifting Power: distributed load - 125kg
- Noise < 50 decibels
- Power 220-230V
- Control Box: control unit 2 ports voltage input 220-240 VAC 50/60Hz
- Overheat electrical current protection
- Handset: basic handset, two buttons: rise/fall, black.
- Six-access anti-collision software - prevents any accidents when you, or an item comes into contact with your desk.
- Guarantee 5 years
- Certified EN 527-1:2011 & EN 527-2:2016 including motor durability test.



WEEE - Did you know?

Zoom products are WEEE certified (Waste Electrical and Electronic Equipment). WEEE Ireland is a not for profit organisation, committed to delivering cost effective compliance since 2005. WEEE Ireland represents 74% of the electrical and electronic industry who have a Producer responsibility under WEEE Directive 2012/19/EU to organise and finance the environmental management of their products at their end of life.

Since September 2008, all producers that sell electrical goods must take back the electrical products for free recycling. This is part of a European Directive which came into force in 2008, to encourage recycling across the EU. WEEE Ireland has been the Scheme of choice in Ireland maintaining majority market share across all sectors and operates under the approval of the Minister for Communications, Climate Action and Environment.

Any electrical goods you purchase from us we will recycle for free at the end of their life cycle. By being WEEE registered we can help make an environmental difference by:

- Reducing the amount of waste going to landfill.
- Save the planet by reducing the effects of the hazardous materials in WEEE.
- Conserve natural resources as materials such as plastics, glass and metals are recovered for use again in industry.

Zoom Certifications

- Tested to EN527-1:2011 and EN527-2:2016 including motor durability test
- Complies with EMC Directive
- Complies with Low Voltage Directive
- Complies with RoHS Directive (Reach and PAHs)



Take a stand for Office Wellbeing with Zoom Desks



MUSCLE PROBLEMS

If you stay seated all day, your leg muscles and gluteus muscles will become inactive, thus reducing your ability to sit up straight.



POOR CIRCULATION

Remaining seated for too long may result in swollen ankles and varicose veins, caused by fluids sinking down into the legs.



BRAIN ACTIVITY

If you stay fixed in one position, insufficient fresh, oxygen-rich blood will be pumped around the body, causing brain function to slow down.



HEART RISKS

Since muscles are less active while a person is seated, they burn less fat. Together with a higher blood pressure and elevated cholesterol levels, this increases the risk of heart disease.



BACK PROBLEMS

Staying seated for long periods causes weight pressure to be unevenly distributed over the spine, leading to spinal problems in the lower back.