

NRV 240-11

NRV 370-11

NRV 380-11

NRV 470-11

EVR 370-11

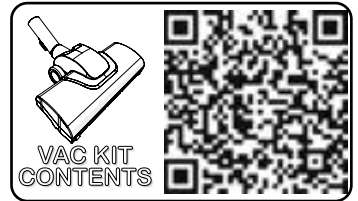
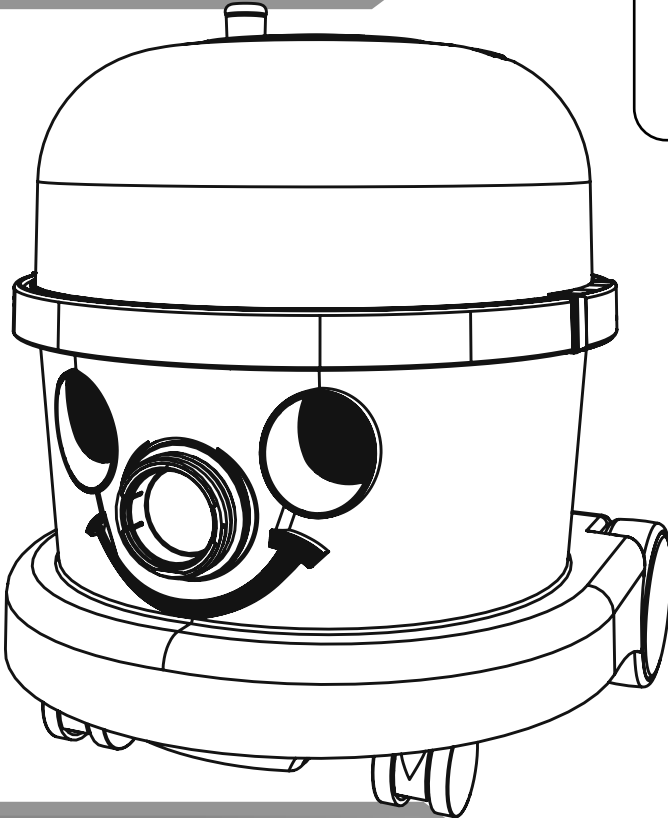
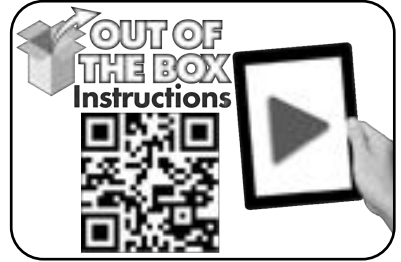
NSR 240-11

NRV 240-11 (110 Volt)

NRV 370-11 (110 Volt)

# Numatic

numatic.com

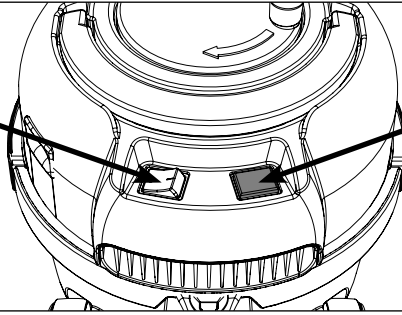


## Original Instructions

CAUTION, Read the Instructions before using the machine.

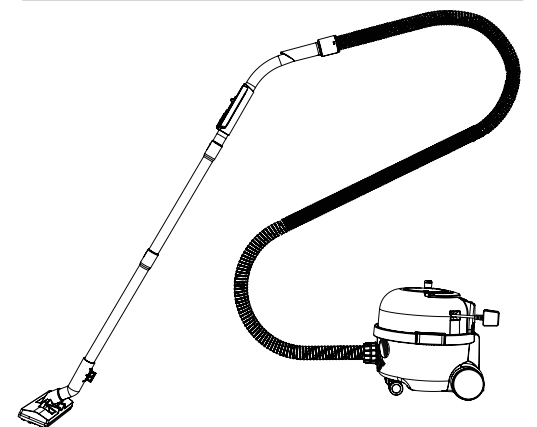
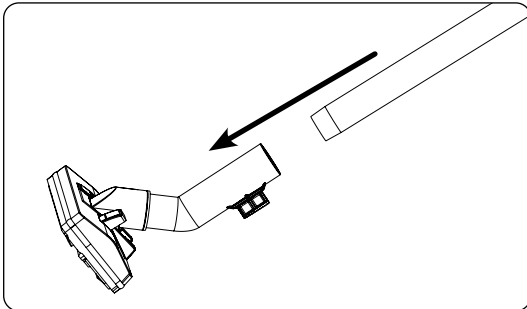
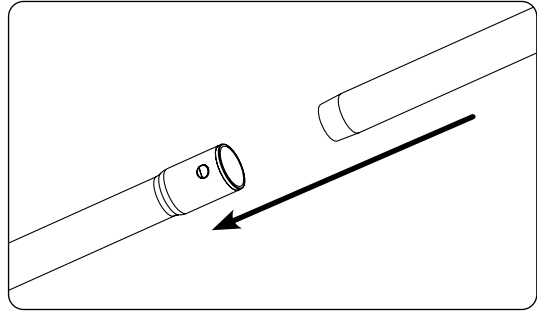
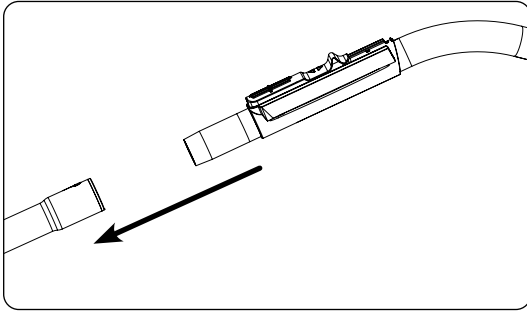
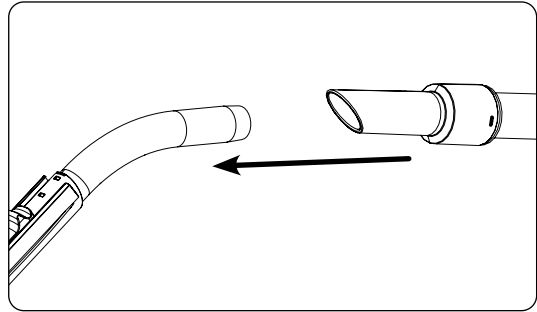
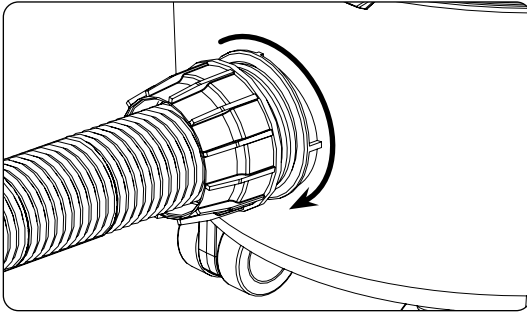
Power On / Off Switch

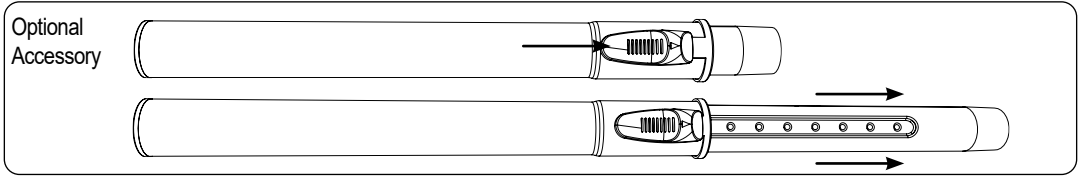
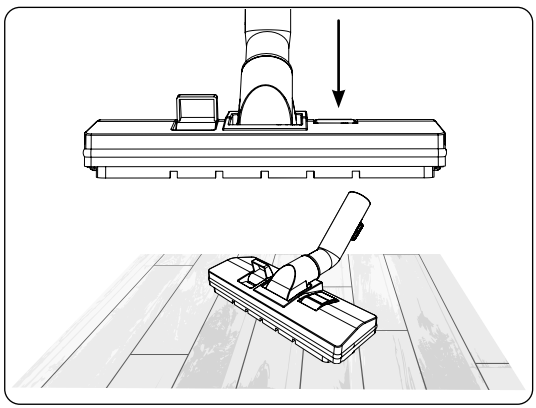
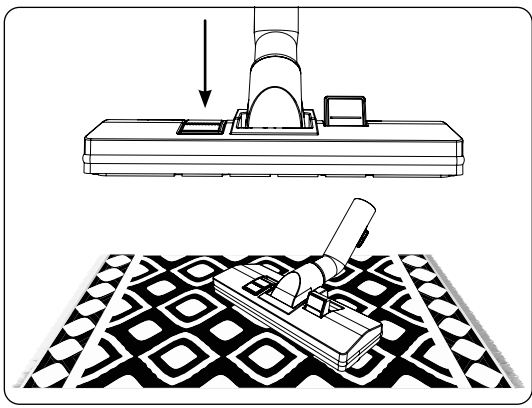
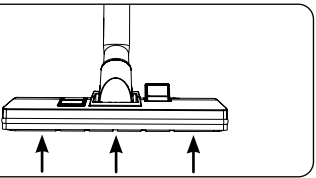
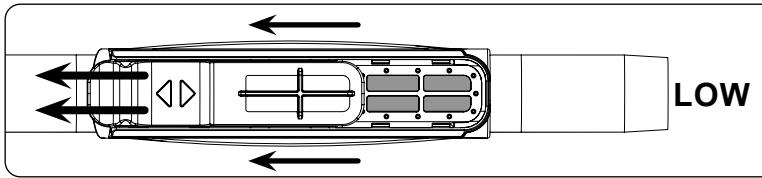
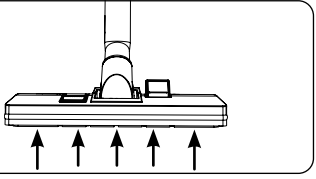
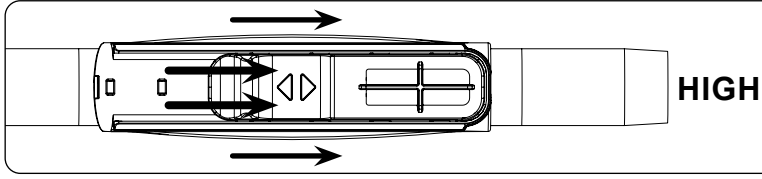
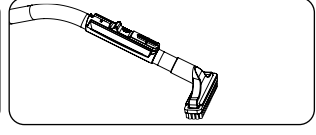
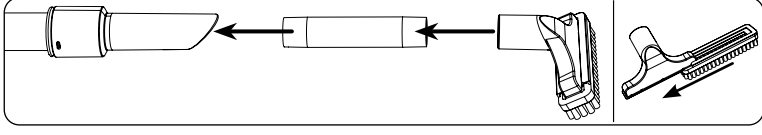
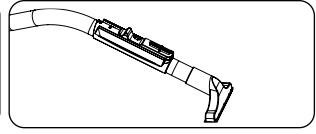
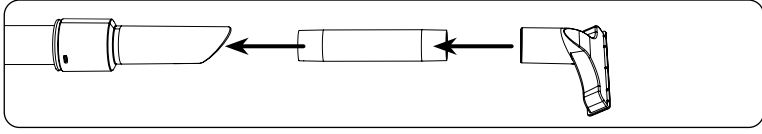
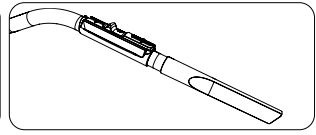
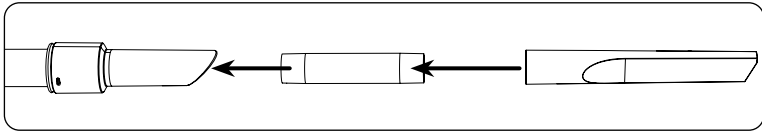
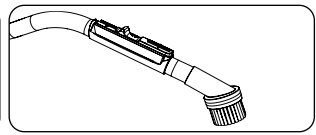
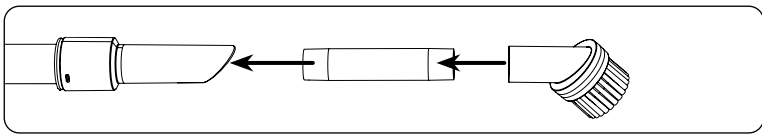
Power On Indicator Light



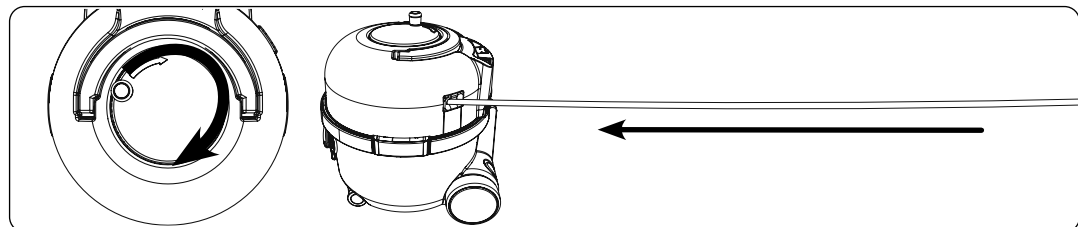
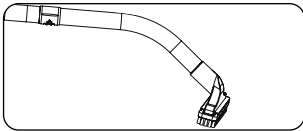
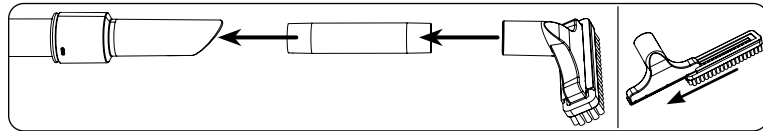
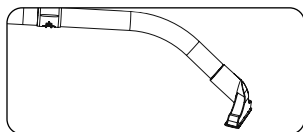
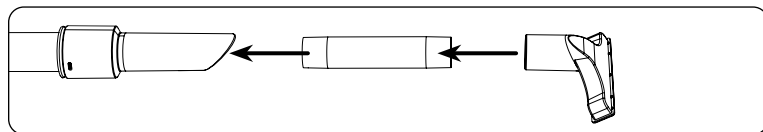
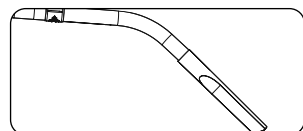
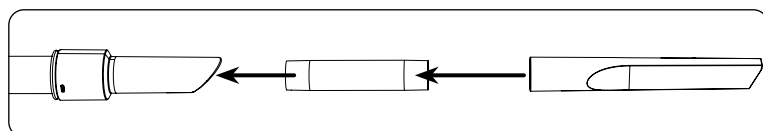
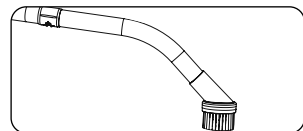
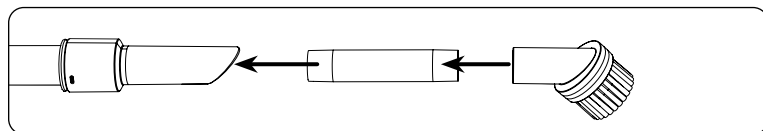
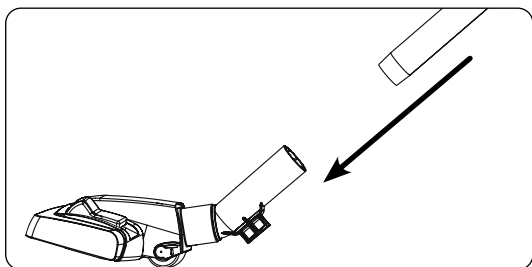
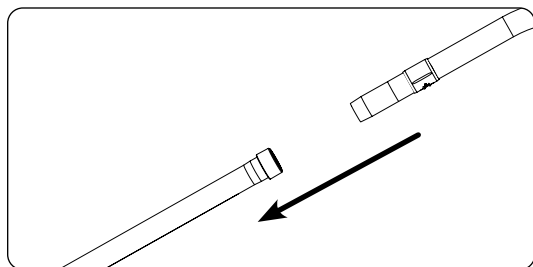
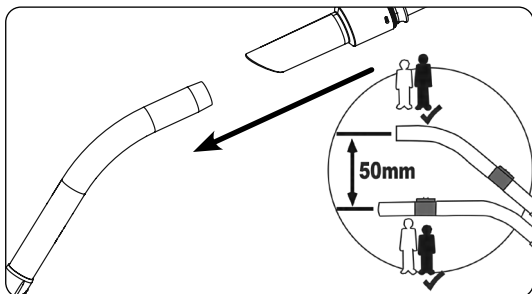
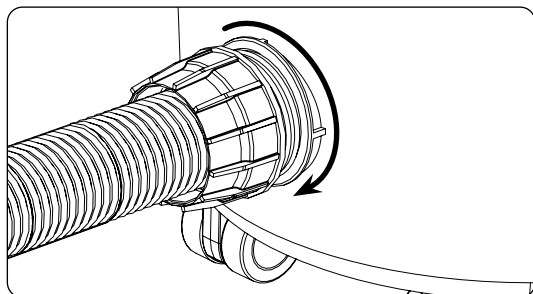
## Assembly

### Kit Variation 1

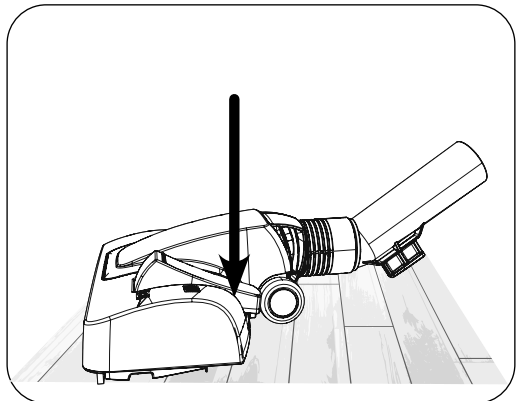
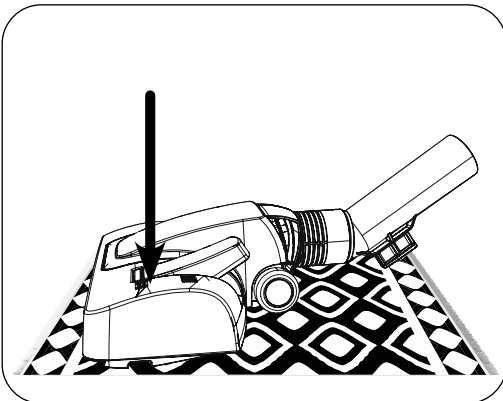
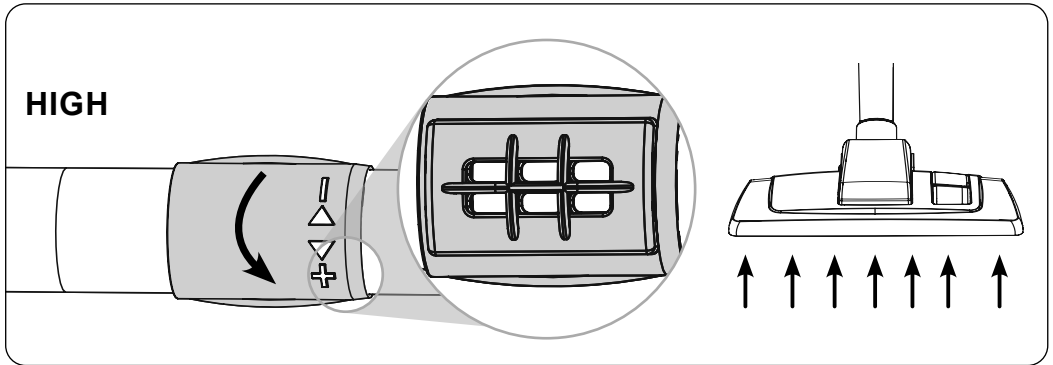
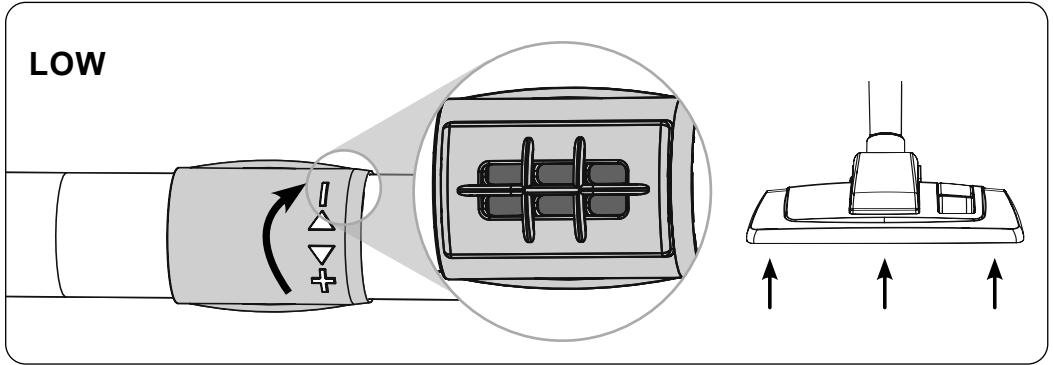




## Kit Variation 2

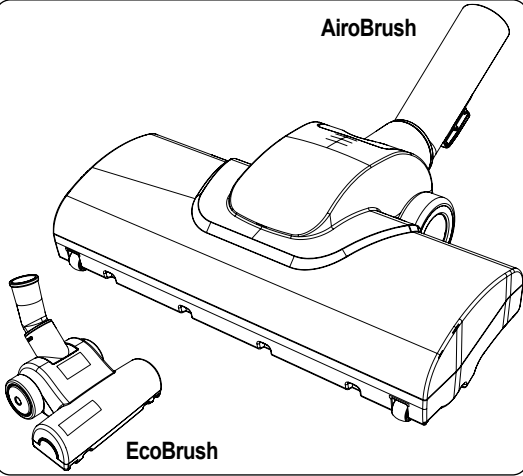


Kit Variation 2

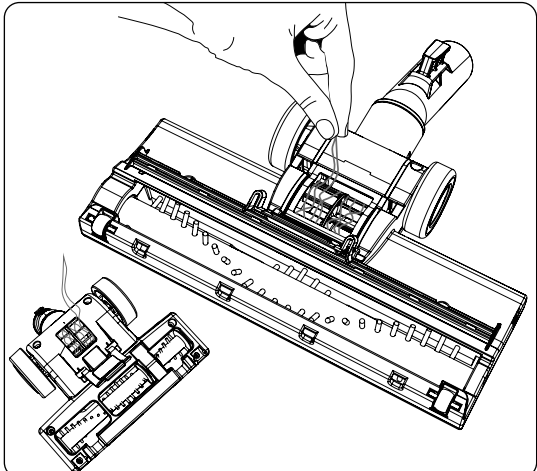
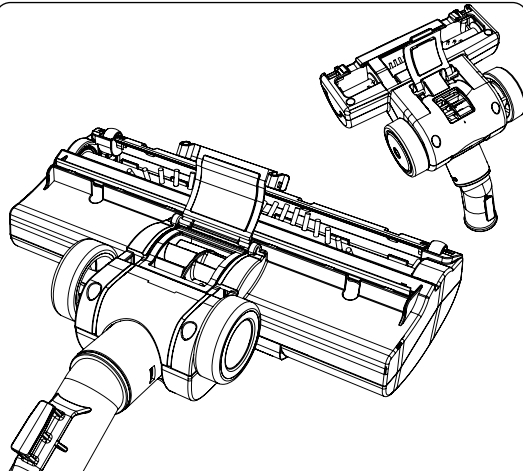
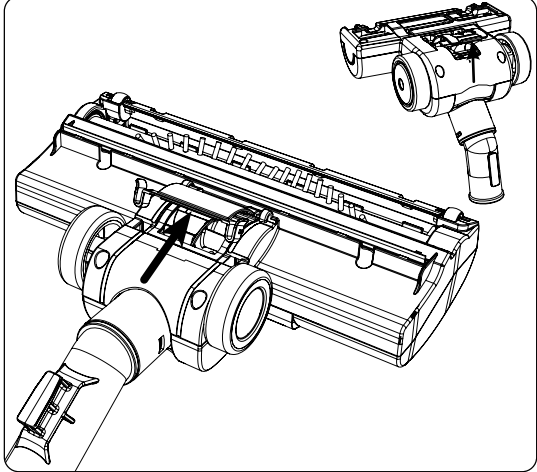
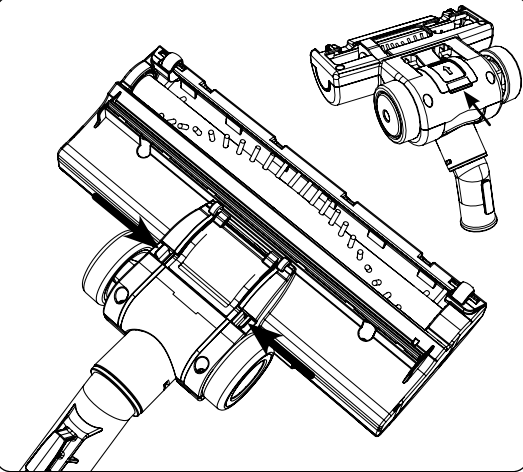
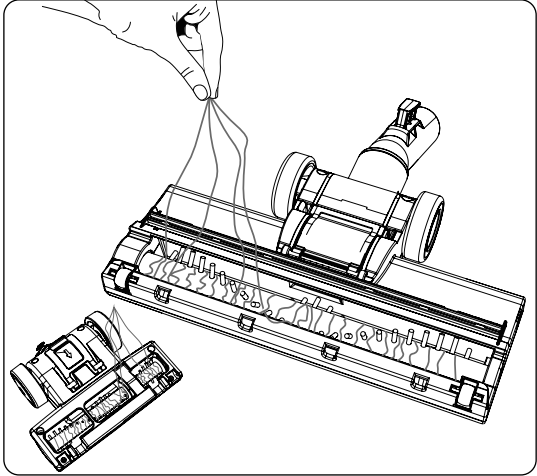


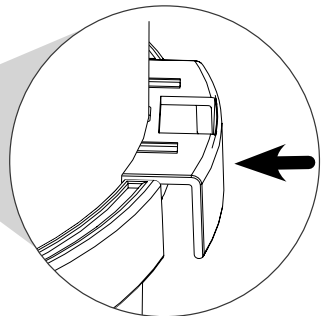
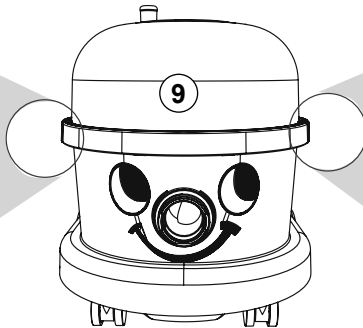
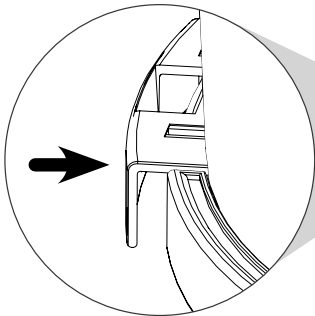
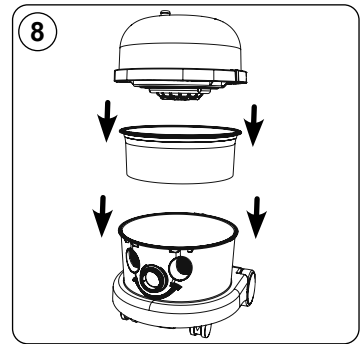
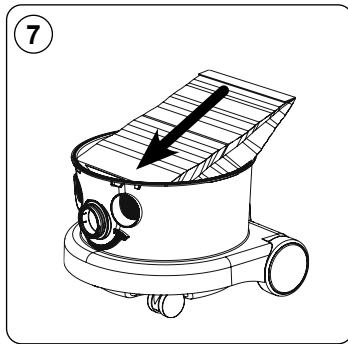
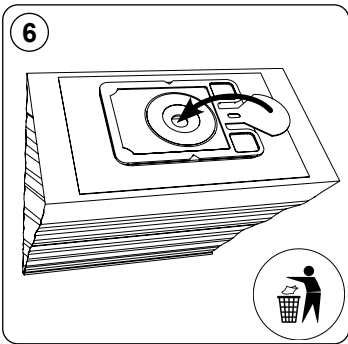
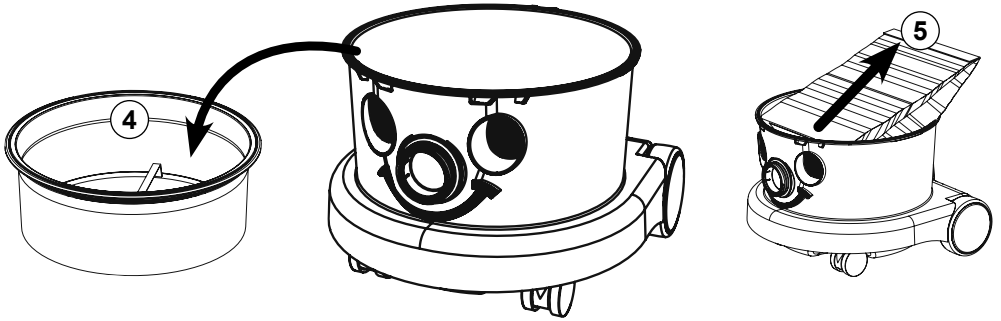
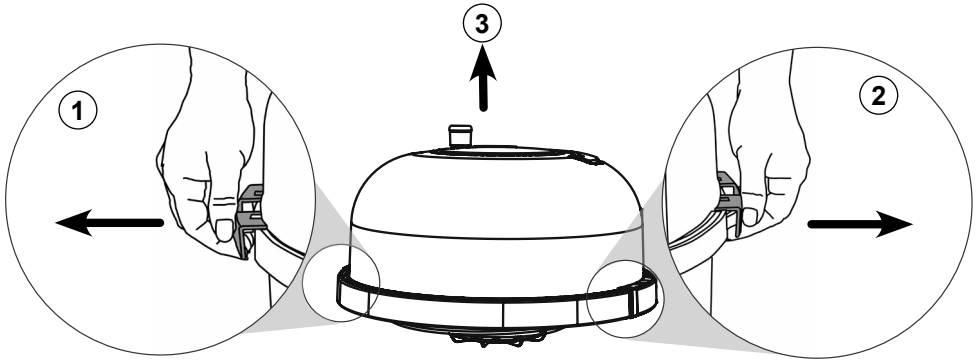
## Optional Accessory

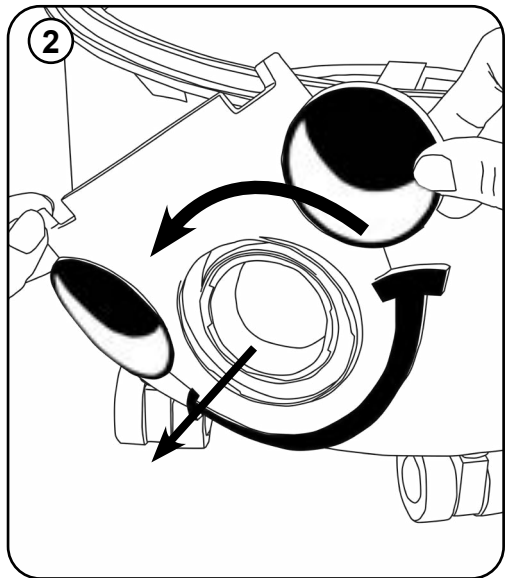
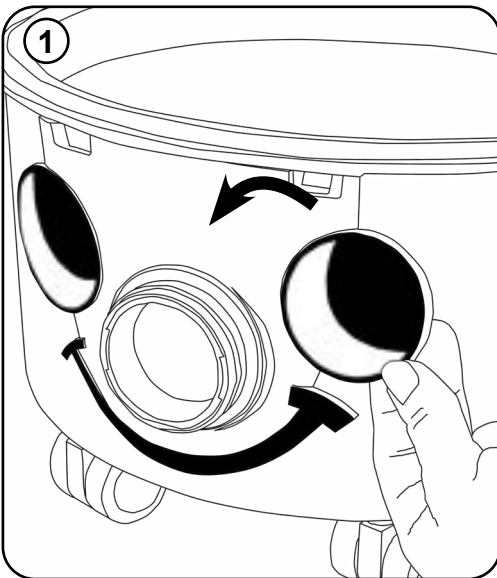
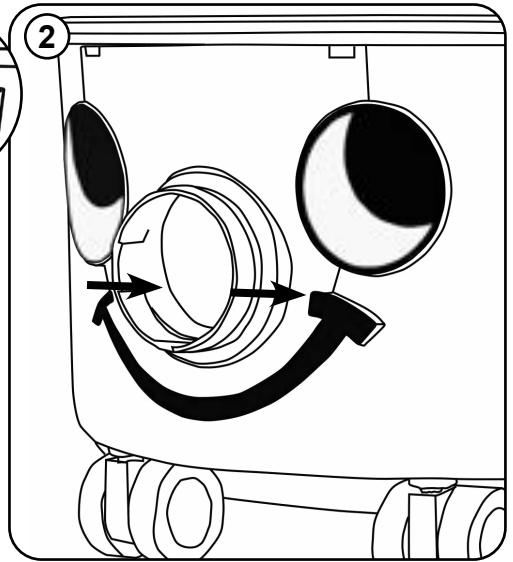
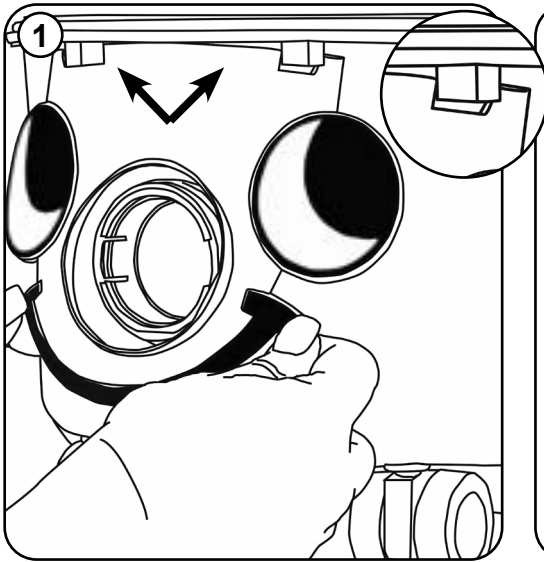
AiroBrush

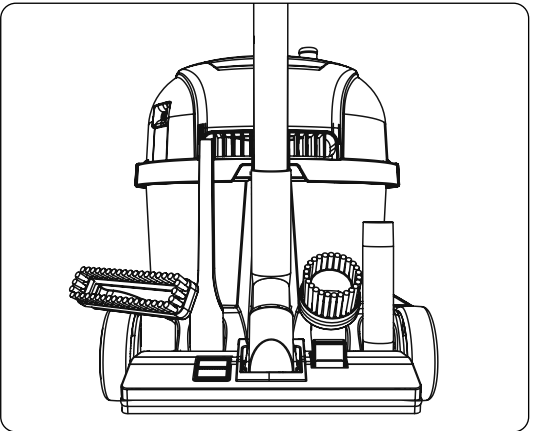
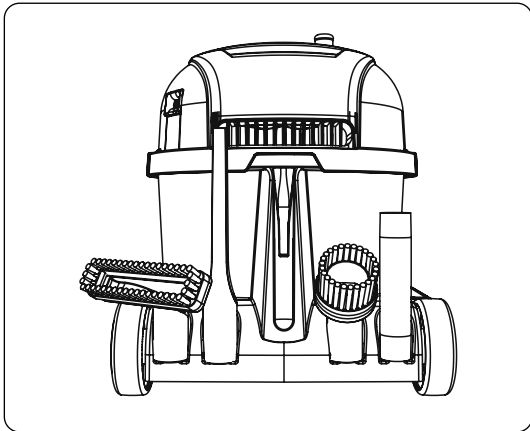
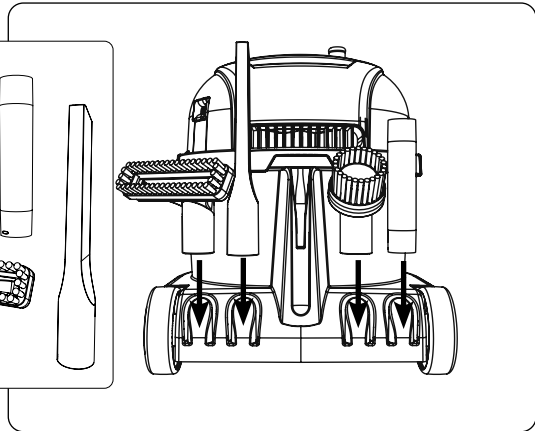
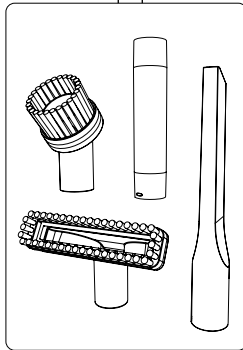
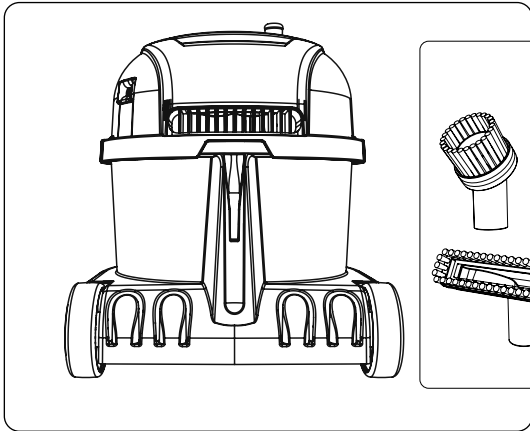
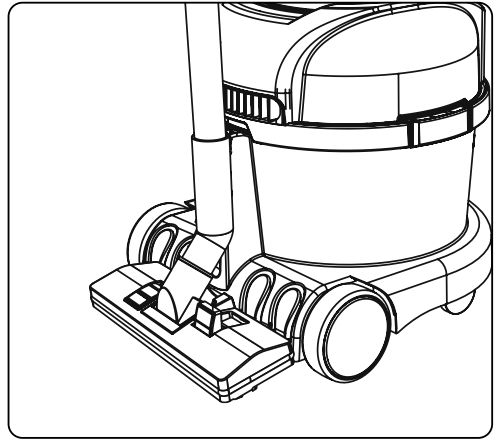
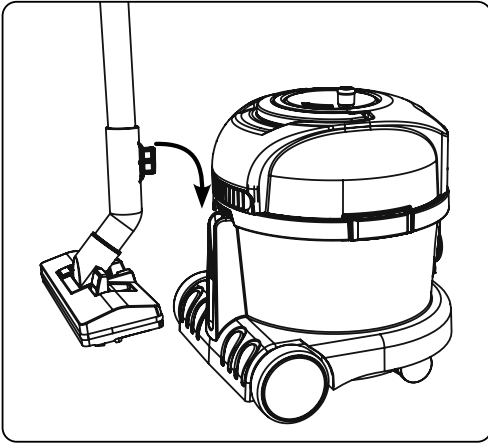


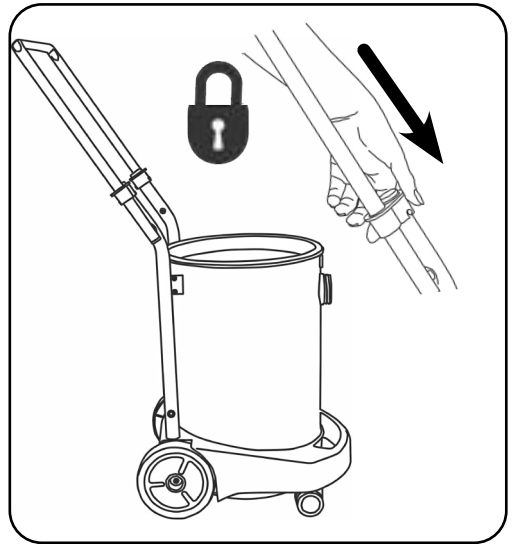
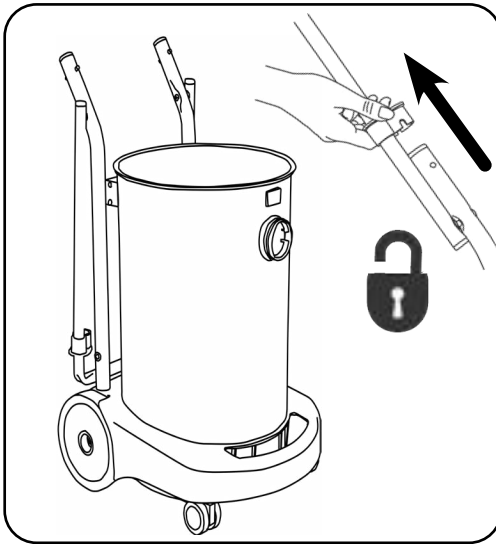
EcoBrush











Data

	1	2	3	4	5	6
NRV/NSR 240	9 L	31.4 m	9.0 kg	LpA ≤ 70 dB(A)	Class II	360 mm x 370 mm x 415 mm
NRV 370	15 L		9.1 kg			360 mm x 370 mm x 510 mm
NRV 380	15 L		9.1 kg			355 mm x 355 mm x 485 mm
NRV 470	27 L		11.6 kg			358 mm x 450 mm x 710 mm
EVR 370	15 L	26.8 m	9.1 kg			360 mm x 370 mm x 510 mm

1	2	3	4	5	6
Drum Size	Cleaning Range	Weight (Ready to work)	Sound Pressure	Protection Class	Dimensions

Replacement parts

TriTex Filter	
604165	TriTex-Filter
HepaFlo Bags	
604015	NVM 1CH (Pack of 10) 240 Drum Size
604016	NVM 2BH (Pack of 10) 370 / 380 Drum Size
604018	NVM 3AH (Pack of 10) 470 Drum Size



### WARNING

Read the instruction manual before using the machine.

Operators shall be adequately instructed on the use of their machine.

As with all electrical equipment, care and attention must be exercised at all times during use, in addition to ensuring that routine and preventative maintenance is carried out periodically to ensure safe operation.

Failure to carry out maintenance as necessary, including the replacement of parts to the correct standard could render this equipment unsafe and the manufacturer can accept no responsibility in this respect.

Maintenance should only be carried out by a qualified person.

This machine is for DRY USE only and must not be stored outside or used in wet conditions.

The machine shall be disconnected from the mains power by removing the plug from the power supply socket during cleaning or maintenance and when replacing parts or converting the machine to another function. If the supply cord is damaged, it must be replaced by the manufacturer, its service agent or similarly qualified persons in order to avoid a hazard.

Only use the socket outlet on the machine for purposes specified in the instructions (if fitted).

This appliance is not intended for use by persons (including children) with reduced physical, sensory, or mental capabilities, or lack of experience and knowledge, unless they have been given supervision or instruction concerning use of the appliance by a person responsible for their safety.

This appliance is intended to be cleaned and maintained by an adult.

Children being supervised are not to play with the machine.

This machine is not a toy.

This machine is not suitable for picking up hazardous or explosive dust. Contact your local distributor if you require a machine capable of performing these tasks.

### CAUTION

Ensure that the filtration system fitted to the machine is suitable for the material being collected.

This vacuum cleaner is intended for indoor use in the collection of dry materials.

This machine should be stored indoors only.

### NOTES

This machine is intended for commercial use, for example in hotels, schools, hospitals, factories, shops, offices and rental businesses

This product complies with the requirements of clause 20 of IEC/EN 60335-2-69 Stability and Mechanical Hazards.

When moving from one place to another, consider the weight of the machine.

This vacuum cleaner is fitted with a thermal protection device. If the vacuum cleaner stops working, remove the plug from the wall before investigating where the fault lies.

If the vacuum cleaner has a blockage, switch off, remove the plug from the power socket, inspect the floor tool, tubes and hose for debris. If the floor tool, tubes and hose are clear, replace the dust bag and clean the filter.

The vacuum cleaner should be inspected after use for damage.

The vacuum cleaner should be stored in a dry place.

Make sure you use the appropriate floor tool for the surfaces to be cleaned (Carpet / Hard Floor).

### DO

- Keep your machine clean including hoses and tubes.
- Change dust bag frequently.
- Keep filters clean.
- Keep diffuser filter (where fitted) clean.
- Use filter bags, they will enhance performance and help keep machine clean.
- Use a Numatic Original filter bag under fine dust conditions.
- Keep hoses and tubes clear.
- Replace any worn or damaged parts immediately.
- Regularly examine the power cord. If damage is found such as cracking or ageing the power cord must be replaced by a qualified person.
- Only replace the power cord with the correct Numatic approved replacement part.

### DO NOT

- Pull on the cable to unplug the machine from the power supply.
- Use to suck up hot ashes or lighted cigarette ends.
- Use steam cleaners or pressure washers to clean the machine or use in the rain.
- Immerse in water for cleaning.
- Attempt machine maintenance or cleaning unless the power supply plug has been removed from the supply outlet.
- Use in wet environments or to collect wet materials.
- Use hard floor tools on carpet.
- Under any circumstances place foreign objects including (but not limited to) air fresheners, air freshener capsules or scented beads of any type into the top filter of the machine. Doing so can be dangerous and risk damage to the machine and may invalidate the machine warranty.





<b>UKCA Declaration of Conformity</b>	
<b>Manufacturer:</b>	Numatic International Limited Chard Somerset TA20 2GB <a href="http://www.numatic.co.uk">www.numatic.co.uk</a>
<b>Product:</b>	HVR, HVN, NVR, NSR, NVR, HET, NRV, EVR, HVX, HMR, HHR, HVC, HEC, HEP, HRP, HDK, HXL, PET, PEH, HRR, HVT, PCH, HPC, VNR
<b>Description:</b>	Vacuum Cleaner – Commercial – Dry
<b>We, Numatic hereby declare under our sole responsibility, that the above-mentioned product(s) is/are in conformity with the following directives and standards.</b>	
<b>S.I. 2008: 1597</b>	<b>Supply of Machinery Regulations</b> EN60335-1:2012 + AC:2014 + A11:2014 + A13:2017 + A15:2021 EN60335-2-69:2012 EN62233-2008
<b>S.I. 2016: 1091</b>	<b>EMC Regulations</b> EN55014-1:2017 + A11:2020 EN55014-2:1997 + A1:2001 + A2:2008 EN61000-3-2:2014 EN61000-3-3:2013
<b>2009/125/EC</b> <b>EU/666/2013</b> <b>(S.I. 2010:2617)</b>	<b>Ecodesign Requirements for Vacuum Cleaners</b>
<b>S.I. 2012: 3032</b>	<b>RoHS Regulations</b>

Authorised Signatory: Mr. Matthew Coles

Position: Head of Technology  
Numatic International Limited,  
Chard,  
Somerset, TA20 2GB, UK

Signed: *Mr. Coles* Date: 23<sup>rd</sup> May 2024

DEC-070 V2.5

<b>EU, EC, EL, UE, ES:</b> Conformidade Europeia Problemas de conformidade Konformitätsklärung Overensstemmelseserklæring Declaración de conformidad Declaración de conformidad	<b>Декларация за съответствие</b> Problemi sa conformitate Mogljeda neskladnost Declarazione di conformità Atiitkites deklaracija Conformitetsbevisning Declaración de conformidad	<b>Deklaracija zgodnosti</b> Problemi sa conformitate Mogljeda neskladnost Forsikring om overensstemmelse Izjava o skladnosti Vaattamustunnustakuksenvakuutus
<b>EN we, Numatic hereby declare under our sole responsibility, that the above-mentioned product(s) is/are in conformity with the following directives and standards.</b>	<b>EN we, Numatic hereby declare under our sole responsibility, that the above-mentioned product(s) is/are in conformity with the following directives and standards.</b>	<b>PT Nós, a Numatic declaramos, sob nossa exclusiva responsabilidade, que o produto acima mencionado está em conformidade com as seguintes diretivas e normas.</b>
<b>CS Mx, Numatic prohlašuje na svou výlučnou odpovědnost, že výše uvedený výrobek je shodný s následujícími směrniciemi a normami.</b>	<b>EL εμείς, η Numatic δηλώνουμε με αποκλειστική μας ευθύνη, ότι το παραπάνω προϊόν πληροί τις απαιτήσεις των ακόλουθων οδηγιών και κανονισμών.</b>	<b>PL My, Numatic niniejszym oświadczamy z pełną odpowiedzialnością, że wyżej wymieniony produkt jest zgodny z następującymi dyrektywami i normami.</b>
<b>DE Wir, Numatic erklären in alleiniger Verantwortung, dass das oben genannte Produkt mit den Richtlinien und Normen entspricht.</b>	<b>HU Mi, Numatic kijelentjük egyéni felelősségünk, hogy a fent említett termék megfelel az alábbi irányelveknek és szabványoknak.</b>	<b>RU Мы, Numatic заявляем, что данное изделие отвечает всем требованиям действующего законодательства.</b>
<b>ES Nosotros, Numatic declaramos bajo nuestra única responsabilidad que el producto mencionado está en conformidad con las siguientes directivas y normas.</b>	<b>LT Mes, "Numatic" pareiškiu vieną tikrą atsakomybę, kad pirmiau minėtas produktas atitinka šias direktyvas ir standartus.</b>	<b>SV Vi, Numatic förklarar härmed under eget ansvar att ovan nämnda produkt överensstämmer med följande direktiv och normer.</b>
<b>ET Meie, Numatic käsitame kõnitate ja karmale aansukule vastutust, et esepool nimetatud toode on kooskõlas järgivate direktivide ja normidega.</b>	<b>NL We verklaren Numatic hierbij op eigen verantwoordelijkheid dat het bovengenoemde product voldoet aan de volgende richtlijnen en normen.</b>	<b>SU Mi, Numatic ijavajamo s polno odgovornošću, da je gorenji omenjeni izdelek v skladu z naslednjimi ameriškimi in standardi.</b>
<b>FR Numatic déclare sous notre seule responsabilité que le produit ci-dessus est conforme aux directives et normes suivantes.</b>	<b>NO Vi, Numatic erklærer herved under eget ansvar, at det ovennevnte produktet er i samsvar med følgende direktiver og standarder.</b>	<b>Fi Mm, Numatic tähtsustame omalla vastutusega, et ülalnimetatud seadmete standardid on täidetud.</b>

<b>2006/42/EC</b>	<b>Machinery Directive</b> EN60335-1:2012 + AC:2014 + A11:2014 + A13:2017 + A15:2021 EN60335-2-69:2012 EN62233-2008
<b>2014/30/EU</b>	<b>EMC Directive</b> EN55014-1:2017 + A11:2020 EN55014-2:1997 + A1:2001 + A2:2008 EN61000-3-2:2014 EN61000-3-3:2013

<b>2009/125/EC</b> <b>EU/666/2013</b>	<b>Ecodesign Requirements for Vacuum Cleaners</b>
------------------------------------------	---------------------------------------------------

<b>2011/65/EU</b> <b>RoHS Directive</b>	<b>RoHS Directive</b>
<b>Authorised Signatory:</b>	Mr. Matthew Coles
<b>Position:</b>	Head of Technology
<b>Address:</b>	Numatic International Limited Chard, Somerset TA20 2GB <a href="http://www.numatic.co.uk">www.numatic.co.uk</a>
<b>EU Importer:</b>	Mr. Andreas König
<b>Position:</b>	Managing Director
<b>Address:</b>	Numatic International GmbH Fränkische Straße 15-19, 30455 Hannover, Germany <a href="http://www.numatic.de">www.numatic.de</a>
<b>Signed:</b>	<i>Mr. Coles</i>
<b>Date:</b>	15/07/2025

# Numatic

numatic.com

**Numatic International Limited (Head Office)**

Chard, Somerset TA20 2GB, UNITED KINGDOM

Tel: 01460 68600 numatic.com

**Numatic International GmbH**

Fränkische Straße 15-19, 30455 Hannover,

DEUTSCHLAND Tel: +49 (0) 511 984 2160 numatic.de

**Numatic International Denmark**

Fränkische Straße 15-19, 30455 Hannover, DEUTSCHLAND

Tel: +45 (0) 316 40808 numatic-online.dk

**Numatic International S.A.S**

13/17 rue du Valengelier, EAE la Tuilerie, 77500 Chelles, FRANCE

Tel: +33 (0) 164 726 161 numatic.fr

**Numatic International BV**

Vennootsweg 15, 2404 CG, Alphen aan den Rijn, NEDERLAND

Tel: +31 (0) 172 467 999 numatic.nl

**Numatic International Schweiz AG.**

Sihlbruggstrasse 3A, 6340 Baar, SCHWEIZ

Tel: +41 (0) 41 768 0760 numatic.ch

**Numatic International (PTY) Ltd.**

Cnr. 16th & Pharmaceutical Road, Randjes Park,

Midrand 1685, SOUTH AFRICA

Tel: +27 (0) 861 686 284 numatic.co.za

**Numatic International ULDA**

Rua Francisco da Silva Duarte, n°79,

4475-269 Santa Maria de Avioso, Castêlo da Maia, PORTUGAL

Tel: +351 220 047 700 numatic.pt

**Numatic International Spain, S.L.U.**

Av. Baix Llobregat, 5-7, Oficina bajos 1 (Parc Negocis Mas Blau II)

08820 El Prat de Llobregat (Barcelona), SPAIN

Tel: +34 93 647 22 22 numatic.es

**Numatic International Italy S.R.L**

Via Luigi Galvani, 2, Z.I. Talponedo, 33080 Porcia (PN), ITALY

Tel: +39 (0) 434 046 211 numatic.it

**Edco, Edgar Edmondson Pty Ltd**

Head Office: PO Box 198, Marrickville, NSW 1475, AUSTRALIA

Delivery & Shipping Address

18 Garden St, Marrickville, NSW 2204, AUSTRALIA

Office Number: +61 (0)2 9557 4411, Fax Number: +61 (0)2 9519 9223,

Email: orders@edmondson.net.au ABN: 27 000 450 144

**Proquip NZ Ltd**

7a Peterkin Street, Taita, Lower Hutt, 5019

Tel: +64 4 566 7847, Fax: +64 4 576 0430

Web: www.proquipnz.co.nz