



# MagnaClean™

MagnaCleanse2

## Product Specification

**ADEY**®

Visit [Plumb2u](#)

See product

# MagnaCleanse2™ Technical Specification

*An evolution of the original ADEY MagnaCleanse® this updated model delivers the same powerful magnetic cleaning power, with enhanced ease of use delivered through both ergonomic and functional improvements. ADEY MagnaCleanse 2® remains the original solution for deep cleaning heating systems and removing stubborn magnetic debris.*

## Features

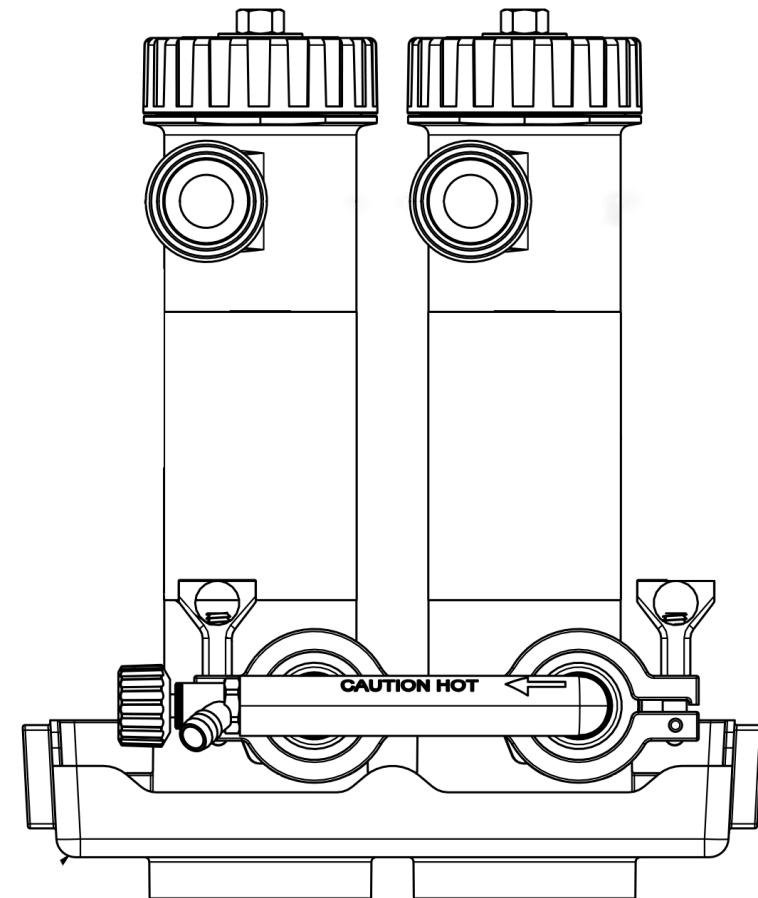
- Dual magnetic capture for greater first-time capture rate and quicker process time.
- Controlled drain off for control when cold flushing or when using in combination with a power flushing machine.
- Includes VibraClean® agitator to help dislodge stubborn magnetite deposits.
- Hose to Valve kit allows the quick and easy connection to all ADEY MagnaClean Micro®, Micro 2® and Professional 2® filters.
- Supplied in a rugged construction grade molded carry case.

## Benefits

- Removes virtually all magnetite throughout the cleaning process
- Cleaner remains concentrated in the system throughout the cleaning process
- System water remains heated during the cleaning process, giving a faster and more-effective clean
- Saves water – drain down only required at the end of the cleaning process
- Drain valve provides greater control and flexibility
- Easy-to-flush residual cleaner from the system
- Compact and portable solution, especially in comparison to traditional power flushing solutions
- Two-year warranty

## For Best Results

Used in conjunction with ADEY's powerful MC5® Rapid Flush Cleaner and VibraClean® agitator, MagnaCleanse 2® can be used independently or in combination with a power flushing machine, to deliver a fast deep cleaning solution for the improved performance and efficiency of most types of wet central heating systems



Visit [Plumb2u](https://www.plumb2u.com)

See product

# Technical Specification:

Internal water  
operating temperature:  
70°C / 158°F  
55°C / 131°F  
20° / 68°F

Internal operating  
water pressure:  
2 Bar / 29 PSI  
3 Bar / 44 PSI  
6 Bar / 87 PSI

Canister and threaded ring material: Glass reinforced polymer

Fluid capacity: 2.27l

Thread: Pressure thread

Flow configuration: Uni-directional

Valve to canister seal: EPDM

2 x Magnet length: 306mm

2 x Magnet diameter: 19 mm

## Bleed valve

Body material: Brass

Screw: Brass

Thread interface: M6

## Packaging and handling:

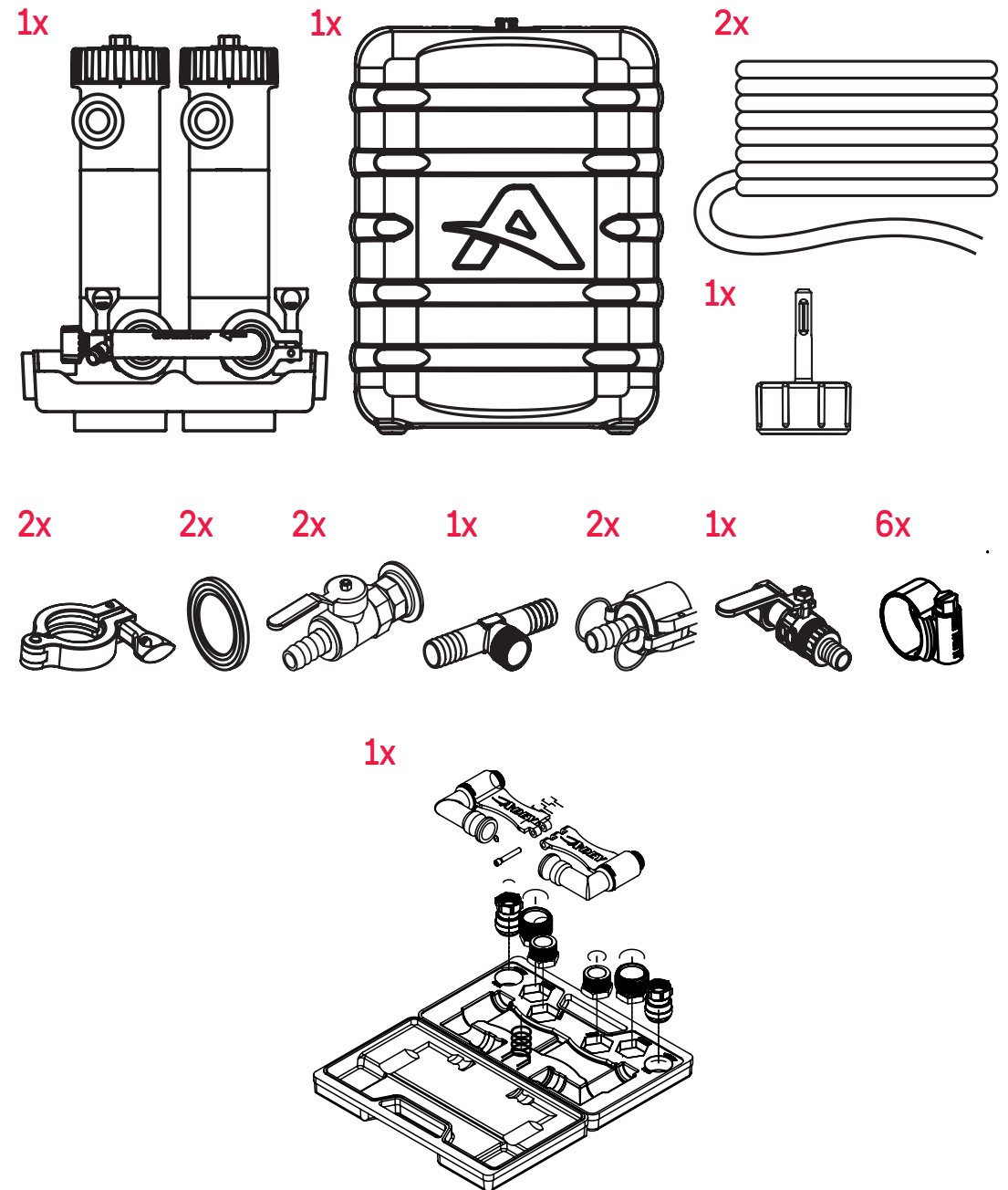
Packaged in single units with all components included

## Storage

No special storage requirements necessary

Robust and durable handled carry case provided

Full installation instructions are supplied digitally via qr code link from Box and Warranty card as well as being available to download from [adey.com](http://adey.com)



Visit [Plumb2u](http://Plumb2u.com)

See product