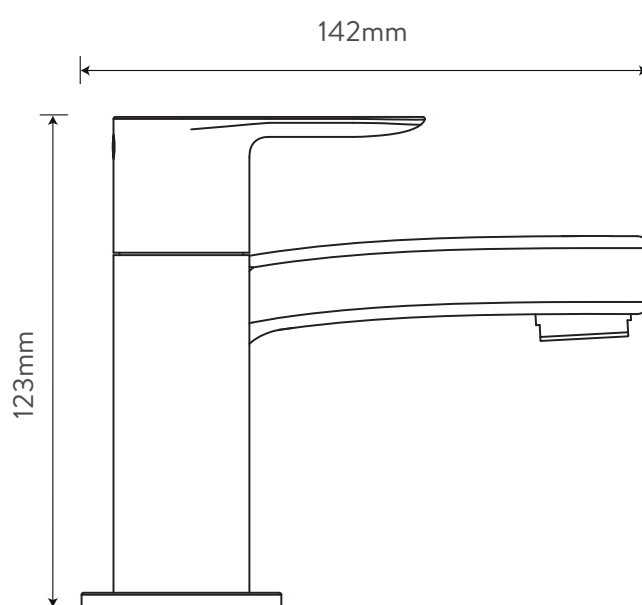
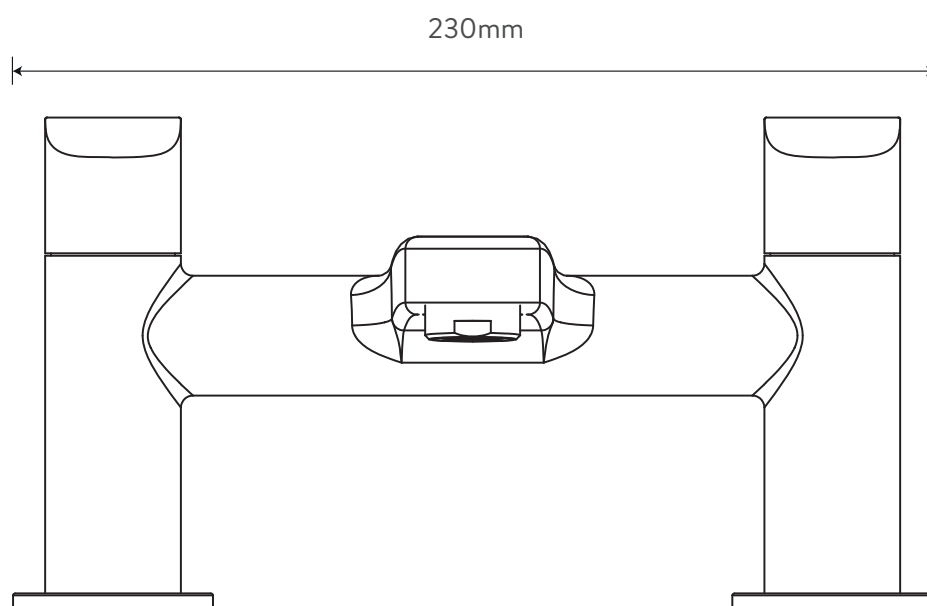


AQUALISA CENTRAL™

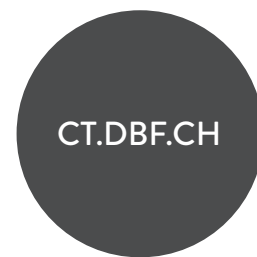
DECK MOUNTED BATH FILLER TAP - CHROME

CT.DBF.CH

DIMENSIONAL DRAWINGS



AQUALISA CENTRAL™



DECK MOUNTED BATH FILLER TAP - CHROME

TECHNICAL SPECIFICATIONS

Minimum pressure requirements	0.2 bar
Maximum pressure requirements	5 bar
Inlet fitting connections	2 x 3/4" BSP male
Rear inlet supply positions	Hot/left, cold/right (as viewed from the front)
Tap Holes	2 holes
Handle Type	Dual levers for hot and cold
Mounting Type	Deck mounted
Water system	Suitable for both low and high pressure systems
Features	Brass body with zinc handles
	Rounded design
Colour	Chrome
Guarantee Period	5 years (if the product is registered)