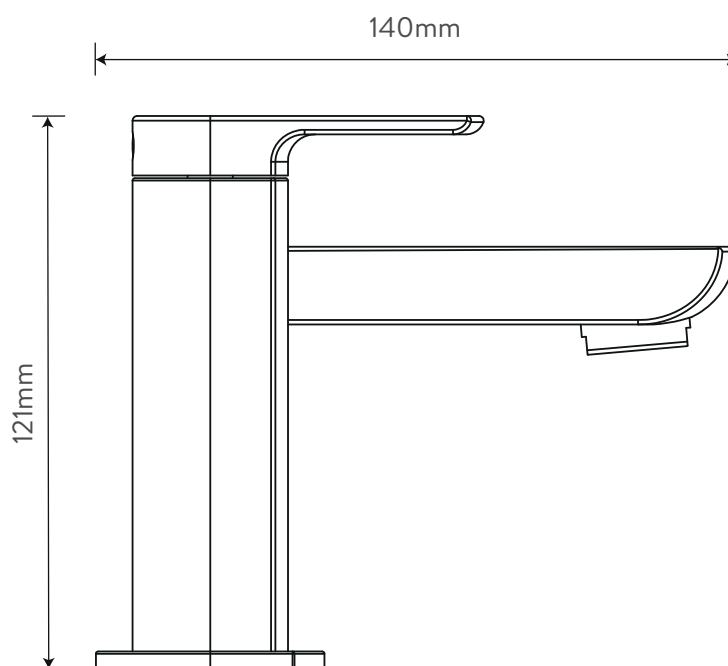
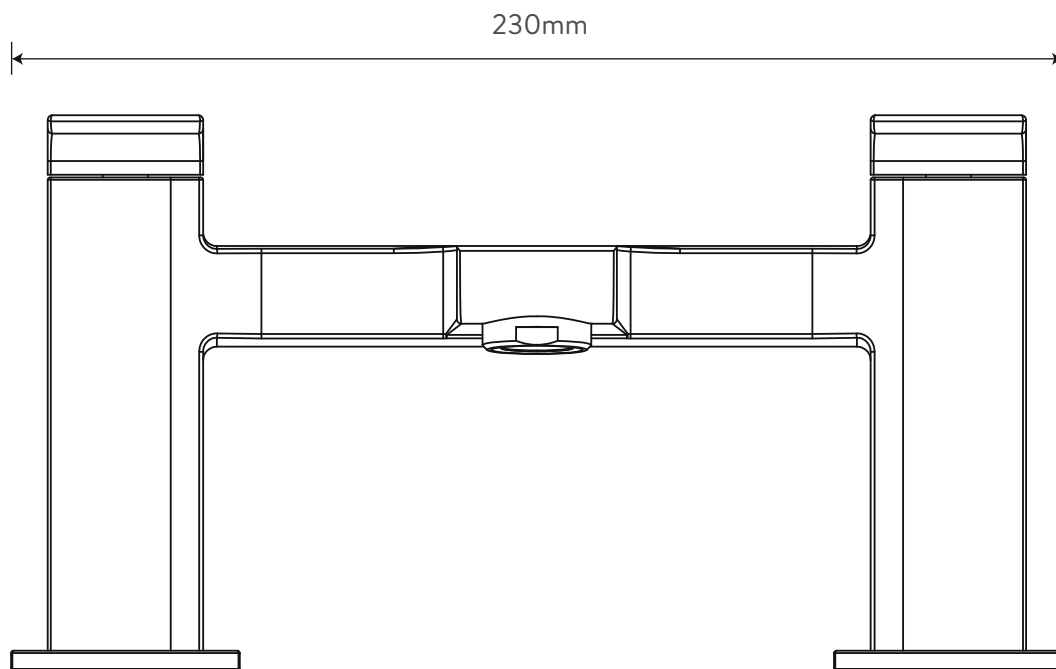


# AQUALISA DOWNTOWN™

DECK MOUNTED BATH FILLER TAP - CHROME

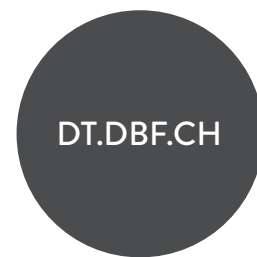


.....  
DIMENSIONAL DRAWINGS



# AQUALISA

## DOWNTOWN™



DECK MOUNTED BATH FILLER TAP - CHROME

---

### TECHNICAL SPECIFICATIONS

Minimum pressure requirements	0.2 bar
Maximum pressure requirements	5 bar
Inlet fitting connections	2 x 3/4" BSP male
Rear inlet supply positions	Hot/left, cold/right (as viewed from front)
Tap holes	2 holes
Handle type	Dual levers for hot and cold
Mounting type	Deck mounted
Water system	Suitable for both low and high pressure systems
Features	Brass body with zinc handles
	Soft square design
Colour	Chrome
Guarantee period	5 years (if the product is registered)