

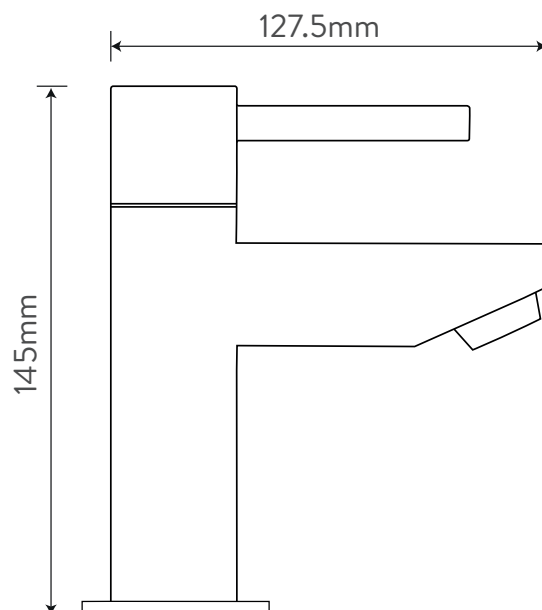
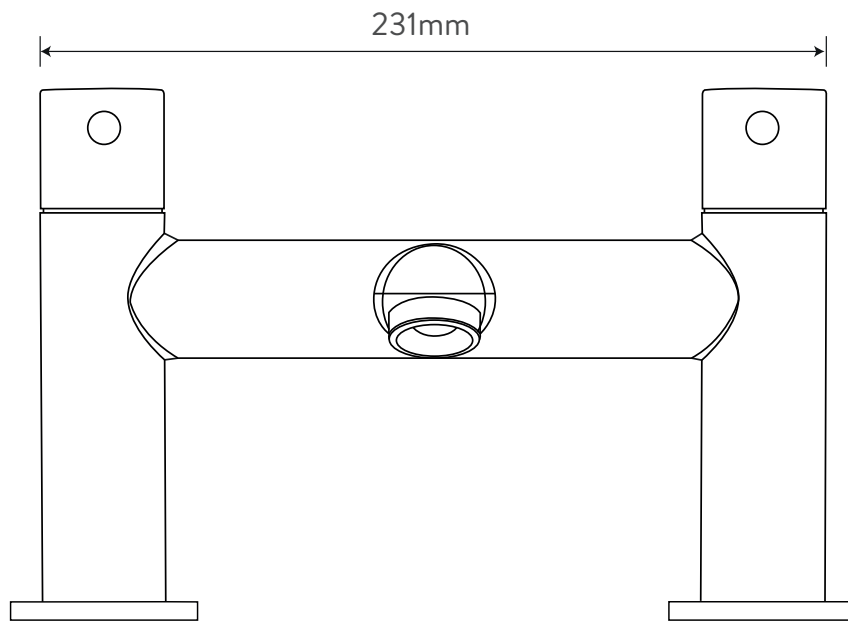
AQUALISA UPTOWN™

DECK MOUNTED BATH FILLER TAP - CHROME

CB.DBF.19

.....

DIMENSIONAL DRAWINGS



AQUALISA

UPTOWN™

CB.DBF.19

DECK MOUNTED BATH FILLER TAP - CHROME

TECHNICAL SPECIFICATIONS

Minimum pressure requirements	0.2 bar
Maximum pressure requirements	5 bar
Inlet fitting connections	2 x 3/4" BSP
Rear inlet supply positions	Hot/left, cold/right (as viewed from the front)
Tap Holes	2 holes
Handle Type	Dual Levers for hot and cold
Hose Connection	1/2" BSP
Mounting Type	Deck mounted with wall mounted handset holder
Water system	Suitable for both low and high pressure systems
Features	Brass body with zinc handles
	Rounded pin lever design
Colour	Chrome
Guarantee Period	5 years (if the product is registered)