

# DU SNK SS

## DUNE Tap Range Dune Monobloc Sink Mixer Stainless Steel



### Features:

- Easy to use 1/4 turn ceramic disc valves
- All in one box - Includes flexible tails and fixing kit so nothing to buy separately
- Swivel spout for easy use
- Also available in other finishes
- 5 year parts and 1 year labour guarantee for peace of mind

### Product Certifications:



WRAS Certificate No: 241203014  
WRAS Expiry Date: 31/12/2029



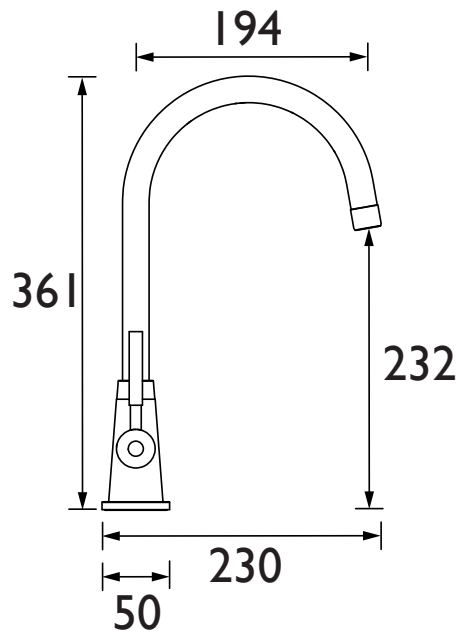
For more products, visit our website:  
<http://www.bristan.com>



### Specification

Product Type:	Kitchen Tap
Main Construction Material:	Brass
Mount Type:	Deck
Handle Type:	Peg Handles
Connection Inlet:	1/2" BSP Flexible Tails
Connection Outlet:	M24 Flow Straightener
Number of Tap Holes:	1
Valve/Cartridge Type:	1/2" Ceramic Disc Valve - 1/4 turn
Plumbing System Requirements:	Suitable for all plumbing systems
Minimum Dynamic Pressure (bar):	0.2 bar
Maximum Dynamic Pressure (bar):	5 bar
Maximum Hot Water Temperature °C:	60°C
Maximum Static Pressure (bar):	10 bar
Flow Type:	Single
Isolation Included:	No

### Dimensions (measurements in mm)



### Flow Rates (l/min)

System Pressure (bar)	0.2	0.5	1	2	3	5
DU SNK SS (mixed)	6.76	10.7	16.2	23.7	29	37.7

## TECHNICAL DATA SHEET



# BRISTAN

Visit [Plumb2u](#)