

IRBS4-CP

COMMERCIAL Tap Range Infrared Temperature Control Automatic Basin Spout Chrome



Features:

- Using non-touch controls they are operated with infrared technology.
- Bristan's automatic basin taps are great in supporting infection control measures.
- Ability to set temperature for user comfort.
- Mains or battery powered options.
- Automatic switch off supports water saving.

Product Certifications:



WRAS Certificate No: 250302051
WRAS Expiry Date: 31/03/2030



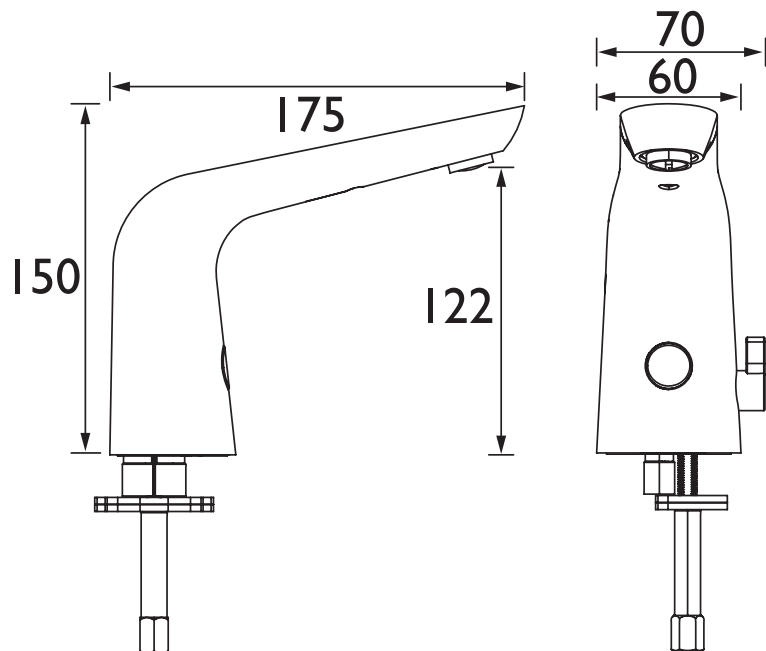
For more products, visit our website:
<http://www.bristan.com>



Specification

Product Type:	Commercial
Main Construction Material:	Brass
Mount Type:	Deck Mounted
Handle Type:	N/A
Connection Inlet:	G 1/2"
Connection Outlet:	N/A
Number of Tap Holes:	1
Valve/Cartridge Type:	Solenoid Valve
Plumbing System Requirements:	Suitable for high pressure systems
Minimum Dynamic Pressure (bar):	1.0 bar
Maximum Dynamic Pressure (bar):	5 bar
Maximum Hot Water Temperature °C:	65°C
Maximum Static Pressure (bar):	10 bar
Flow Type:	Single
Isolation Included:	No

Dimensions (measurements in mm)



Flow Rates (l/min)

System Pressure (bar)	1	2	3	5
IRBS4-CP (mixed)	3	4.2	5.2	6.7

TECHNICAL DATA SHEET



BRISTAN

Visit [Plumb2u](http://Plumb2u.com)

D6

See product