

MIO BAS C

MIOS Tap Range Mios Basin Mixer with Clicker Waste Chrome



Features:

- Everything you need in the box including flexible tails and clicker waste so nothing to buy separately.
- Long life ceramic cartridge for added durability and smooth control.
- A hard-wearing, flawless, scratch resistant chrome finish that lasts for years. Salt spray tested to ensure added durability.
- 5 year parts and 1 year labour guarantee for peace of mind.
- Co-ordinating Bathroom taps available.

Product Certifications:



WRAS Certificate No: 250303302
WRAS Expiry Date: 31/03/2030



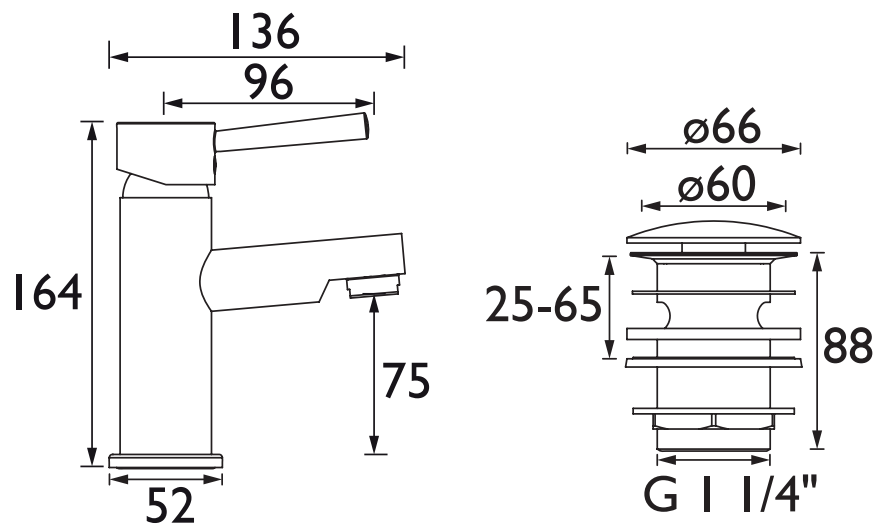
For more products, visit our website:
<http://www.bristan.com>



Specification

| | |
|-----------------------------------|-----------------------------------|
| Product Type: | Bathroom Taps |
| Main Construction Material: | Brass |
| Mount Type: | Deck Mounted |
| Handle Type: | Lever Handle |
| Connection Inlet: | 1/2" BSP Flexible Tails |
| Connection Outlet: | M24 Flow Straightener |
| Number of Tap Holes: | 1 |
| Valve/Cartridge Type: | 35mm Single Lever Cartridge |
| Plumbing System Requirements: | Suitable for all plumbing systems |
| Minimum Dynamic Pressure (bar): | 0.2 bar |
| Maximum Dynamic Pressure (bar): | 5 bar |
| Maximum Hot Water Temperature °C: | 65°C |
| Maximum Static Pressure (bar): | 10 bar |
| Flow Type: | Single |
| Isolation Included: | No |

Dimensions (measurements in mm)



Flow Rates (l/min)

| System Pressure (bar) | 0.2 | 0.5 | 1 | 2 | 3 | 5 |
|-----------------------|------|-------|-------|-------|-------|-------|
| MIO BAS C (mixed) | 6.80 | 11.00 | 15.70 | 22.20 | 27.20 | 35.20 |

TECHNICAL
DATA
SHEET



BRISTAN
Visit Plumb2u

D6

See product