

# H64WMT2

## COMMERCIAL Tap Range

Thermostatic Wall Mount TMV3  
HTM64 Mixer Tap



### Specification

<b>Product Type:</b>	Commercial
<b>Main Construction Material:</b>	Brass
<b>Mount Type:</b>	Wall Mounted
<b>Handle Type:</b>	Lever
<b>Connection Inlet:</b>	15mm Compression with Eccentric Isolation
<b>Connection Outlet:</b>	Aerator and Open Outlet Options included
<b>Number of Tap Holes:</b>	2
<b>Valve/Cartridge Type:</b>	Thermostatic Sequential Cartridge
<b>Plumbing System Requirements:</b>	Suitable for all plumbing systems
<b>Minimum Dynamic Pressure:</b>	0.2 bar
<b>Maximum Dynamic Pressure:</b>	5.0 bar
<b>Maximum Hot Water Temperature: °C</b>	60
<b>Maximum Static Pressure: (bar)</b>	10
<b>Flow Type:</b>	Single
<b>Isolation Included:</b>	Yes
<b>Pre-set Temperature °C:</b>	41

### Features:

- Complies with HTM04-01
- Safe Touch surface temperature
- Integral flush system assists against infection
- Smooth internal waterways
- 1-step isolation and filter removal

### Product Certifications:



WRAS Certificate No: 2101906  
WRAS Expiry Date: 31/01/2026



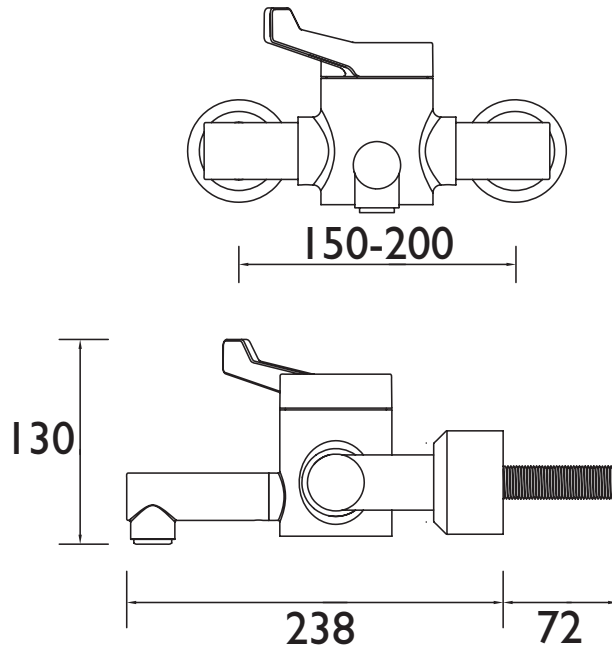
TMV3 Certificate No:  
NSF2324/1020  
TMV3 Expiry Date: 28/10/2025



For more products, visit our website:  
<http://www.bristan.com>



### Dimensions (measurements in mm)



### Flow Rates (l/min)

System Pressure (bar)	0.2	0.5	1	2	3	5
H64WMT2	1.5	2.3	3.3	4.7	5.7	7.4

TECHNICAL  
DATA  
SHEET



**BRISTAN**  
Visit Plumb2u

**See product**