



ESSENTIAL
FOR DRINKING
WATER

CalRO Pro

Smart direct flow Reverse
Osmosis System



Advanced technology
eliminating contaminants and
keeping your water ultra-safe

Visit [Plumb2u](http://Plumb2u.com)

BUY WITH CONFIDENCE

See product

CalRO Pro

Smart direct flow Reverse Osmosis System

How it works

The mains water to be treated enters the RO unit through the sediment and carbon cartridge where the suspended particles, such as chlorine, its derivatives and other organic substances are removed.

The passage of water into the RO unit is controlled by a cut-off solenoid valve.

The water, after being treated by the filtration stage. Is driven towards the RO membrane and the equipment incorporates a pump to increase the pressure, and the pressure of the water on the membrane makes the reverse osmosis process possible by trapping all of the contaminants.

The osmotised water comes out of the RO unit through the smart tap for consumption. Reject water or the water with excess salts and other dissolved substances is re-directed to the drain waste.

When water is not requested through the smart tap, the RO unit stops operating by the means of a maximum pressure switch with an automatic cut-off.

The RO unit also incorporates a minimum pressure switch as a safety system, which protects the pump from pressure drops, stopping the RO unit and preventing its operation in a vacuum.

Unlike traditional RO units, our RO Pro unit which has fast-filtering capabilities ensures a standard glass can be filled in 12 seconds due to the high water flow rate of the 600 gallon per day membrane.

The slimline design of the RO unit compliments any kitchen and fits neatly underneath the kitchen sink which saves space and looks aesthetically pleasing in any home by combining the traditional 5 filtration unit to 2 filters.

The advanced technology eliminates more than 1000 contaminants keeping your water safe from chlorine, limescale, sediment, bad taste, heavy metals, odour, and also combats both chemical and organic contaminants such as arsenic, asbestos, benzene, fluoride, formaldehyde, nitrate, nitrite and trichloromethane.



CONTAMINANTS REDUCED BY REVERSE OSMOSIS

Algae	98%	Chlorides	97%	Magnesium	98%	Silver	98%
Aluminium	98%	Chlorine	99%	Mercury	96%	Sodium	98%
Antimony	96%	Chromium	99%	Monochloramine	94%	Sulphate	98%
Arsenic	98%	Copper	99%	Nickel	98%	THM's	99%
Asbestos Fibres	99%	Cysts	99%	Nitrates	98%	Total Hardness	98%
Bacteria	98%	Dichloramine	92%	Odours	99%	Total dissolved solids	94%
Barium	99%	Fluorides	98%	Pesticides	99%	Total alkalinity	91%
Benzene	90%	Herbicides	99%	Phosphate	98%	Turbidity	98%
Beryllium	99%	Iron (soluble)	98%	Potassium	86%	Viruses	98%
Cadmium	99%	Lead	99%	Radon	95%	Zinc	99%
Calcium	97%	Manganese	98%	Selenium	90%		

Visit [Plumb2u](#)

See product



- ✓ **Click**
Quick connections maximum security
- ✓ **Filter Control**
Automatic maintenance warning
- ✓ **Solenoid Valve**
Immediate control safety mesh
- ✓ **Aquastop**
Automatic leak detection system
- ✓ **Direct Flow**
RO water direct production
- ✓ **LED Status**
Light indications
- ✓ **High performance motor**
Better performance
- ✓ **Electronic Adapter**
Greater security and efficiency
- ✓ **Double flow**
Higher flow of water dispensed
- ✓ **Direct Access**
Easy access and maintenance
- ✓ **Sound Warnings**
Sound indications
- ✓ **High Efficiency**
Recovery in production
- ✓ **Exclusive Membrane**
Original membrane
- ✓ **Smart Faucet**
Filter change warnings

Visit [Plumb2u](https://Plumb2u.com)

See product

CalRO Pro

Smart direct flow
Reverse Osmosis System

Benefits



CF Filter
change warning



MRO Membrane
change warning



Direct Flow



Easy and fast
filter change



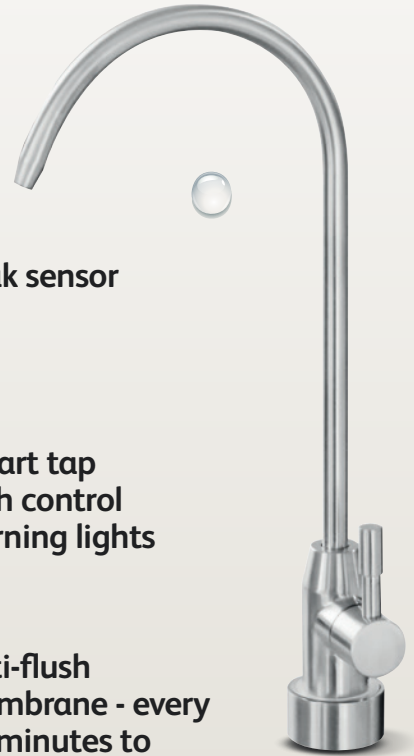
Leak sensor



Smart tap
with control
warning lights



Anti-flush
membrane - every
30 minutes to
ensure good
quality water



Easy
maintenance

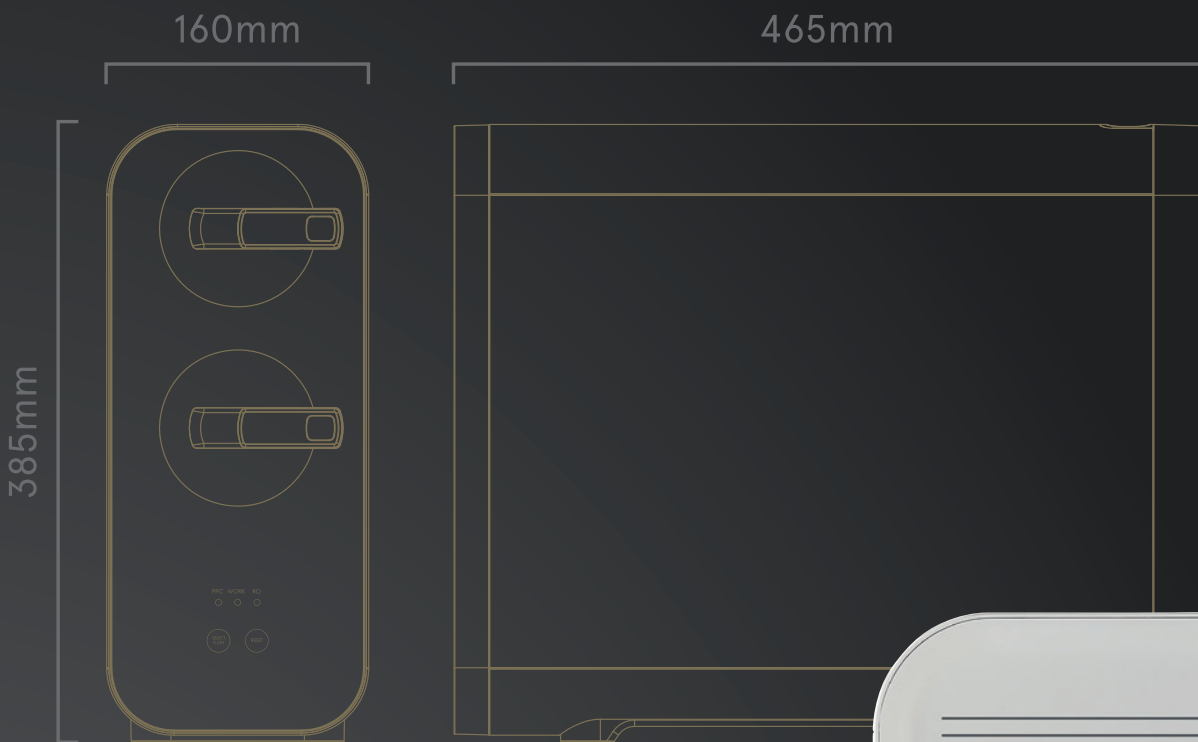


Visit [Plumb2u](https://www.plumb2u.com)

See product



Ultra comfort and suitable for any place



Visit [Plumb2u](https://www.plumb2u.com)

See product

CalRO Pro

Smart direct flow
Reverse Osmosis System

Easy and fast change of filter - saving time

With an easy twist motion and without moving the RO unit, simply push and pull the cartridge to remove and replace.



**QUICK
& EASY**

Long life filters - saving time and money

PPC cartridge - replacement recommended every 12 months. 600 GPD membrane - replacement recommended every 36 months.



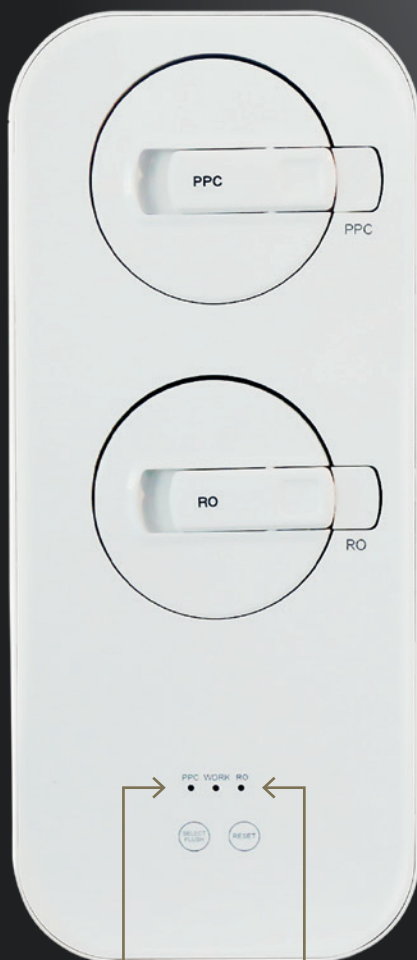
[Visit Plumb2u](#)

[See product](#)



Smart display

Front light display indicates filter changes.



Filter life span indicator

Membrane life span indicator

Smart tap

Check the quality of the filters quickly thanks to the multicolour LEDs:

- ✓ Filter working correctly
- ✓ Filter about to expire
- ✓ Filter needs replacing



Visit [Plumb2u](https://www.plumb2u.com)

See product



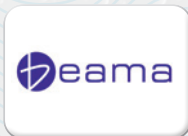
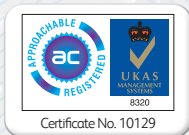
Guaranteed confidence in water quality

Calmag's **fresh, innovative approach** to water quality has led to the development of the most extensive and effective range of water treatment solutions within the UK water treatment industry - our products are designed with the **needs of our customers** in mind - the merchant, installer and consumer. Calmag's philosophy is based on providing products and services to meet the real needs of all our customers - we don't simply produce what we think you should buy - Calmag have the **unique design** and production capabilities to produce what you want - when you want it!

Beware of imitations!

There have been a number of instances when customers have been under the impression that they have bought a Calmag product but, in reality, have been supplied with an alternative and inferior product that fails to match the industry-leading performance and aesthetic appeal of ours. So we strongly advise customers to **ask for our product by name**. Other products may seem to offer similar qualities, but if it isn't Calmag, it simply won't perform to our standards.

There are **two key ways to check** that you've purchased a genuine Calmag product: they carry the **WRAS approval** on scale inhibitors, and **BuildCert** approvals on a range of chemical inhibitors through the **BEAMA** association.



Condensate Neutralisers



Water Softeners



Water Filtration



Powerflushing

For more information regarding all Calmag products and services please go to www.calmagltd.com

Tel: 01535 210320 Fax: 01535 210321 Email: sales@calmagltd.com

Calmag has a policy of continuous product development and reserves the right to alter any specifications without prior notice. Copyright Calmag Yorkshire Limited. / of this publication may be reproduced, stored in a retrieval system or transmitted by any means, electronic, mechanical, photocopying, recording or otherwise, without the prior consent and permission of Calmag Yorkshire Limited. Calmag Yorkshire Limited hereby exclude all liability to the extent permitted by Law for any errors or omissions and for any loss, (whether direct or indirect) suffered by a third party relying on any information contained in this brochure. **See product**

* All figures are taken from various published figures

Visit Plumb2u