

**PA661041MTL**  
**EURO DISPENSER TRIO CHROME**

**Metlex**

PROFESSIONAL BATHROOM AND  
WASHROOM ACCESSORIES



**MATERIAL**

ABS  
Polystyrene

**FINISH / COLOUR**

Chrome  
Transparent

**FREQUENTLY USED APPLICATIONS**

Commercial Washrooms  
Hotels  
Domestic Dwellings  
Care Homes

**FEATURES**

Pump Pre-measures The Right Amount Of Liquid To Avoid Waste.  
Lifts Off For Easy Re-filling.  
Easy To Fit On Any Surface.  
450ml Capacity For Each Pump.  
All Fixings Supplied.

**PERFORMANCE STANDARDS**

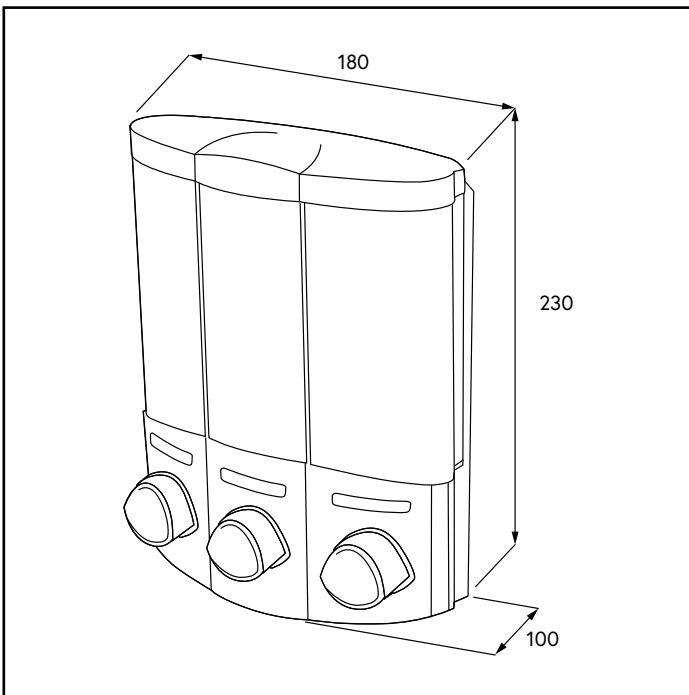
Meets Performance Requirements Of Service Condition 2.  
BS EN ISO 9221:2017 - Corrosion Resistant (NSS 48hr Salt Spray, Min. Grade9)

**CARE AND MAINTENANCE**

Clean Surfaces With A Damp Cloth and Wipe Dry Using A Soft Cloth.  
Do Not Use Chemical or Abrasive Cleaners As These May Damage The Surface Finish.

**GUARANTEE**

Consumer Statutory Rights Apply.  
2 Year Manufacturing Guarantee.



Printed material, designs and packaging are protected by copyright and design rights.