

PA660841MTL
EURO DISPENSER UNO CHROME

Metlex

PROFESSIONAL BATHROOM AND
WASHROOM ACCESSORIES



MATERIAL

ABS
Polystyrene

FINISH / COLOUR

Chrome
Transparent

FREQUENTLY USED APPLICATIONS

Commercial Washrooms
Hotels
Domestic Dwellings
Care Homes

FEATURES

Pump Pre-measures The Right Amount Of Liquid To Avoid Waste.
Lifts Off For Easy Re-filling.
Easy To Fit On Any Surface.
350ml Capacity For Each Pump.
All Fixings Supplied.

PERFORMANCE STANDARDS

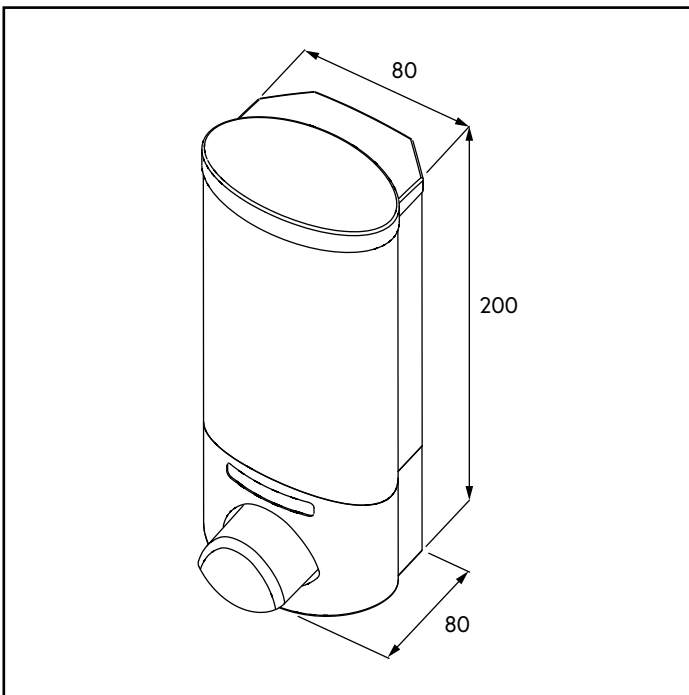
Meets Performance Requirements Of Service Condition 2.
BS EN ISO 9221:2017 - Corrosion Resistant (NSS 48hr Salt Spray, Min. Grade9)

CARE AND MAINTENANCE

Clean Surfaces With A Damp Cloth and Wipe Dry Using A Soft Cloth.
Do Not Use Chemical or Abrasive Cleaners As These May Damage The Surface Finish.

GUARANTEE

Consumer Statutory Rights Apply.
2 Year Manufacturing Guarantee.



Printed material, designs and packaging are protected by copyright and design rights.