



## ILLUSTRATED

QM541541 METRA TOWEL RING CHROME

## CONFIGURATIONS

## MATERIAL

Wall Bracket: Hot Forging Brass

Towel Ring: Hot Forging Brass

Backplate: Zinc Plated Pressed Mild Steel

## COLOURS

Bright Chrome Plated

## WEIGHT

1.2lb (556g)

## PACKAGING

N/A

## FREQUENTLY USED APPLICATIONS

Residential

Hotels

## FEATURES

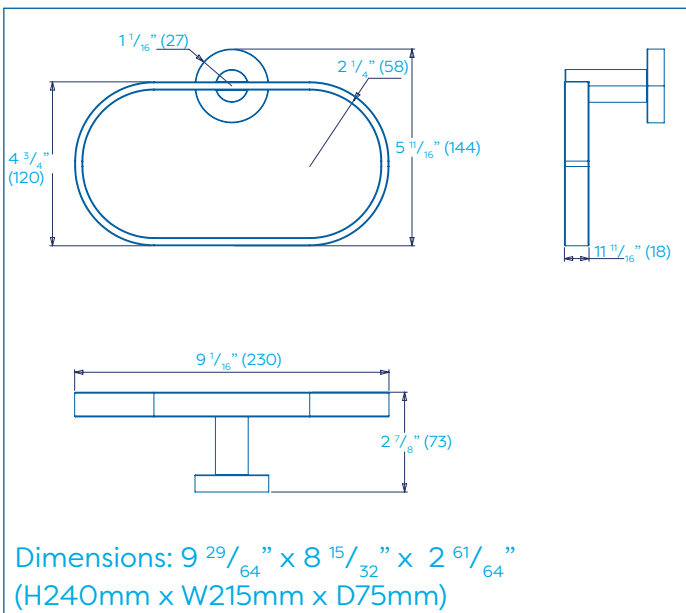
High quality chrome plated finish.

All fixings included.

## CARE AND MAINTENANCE

Clean surfaces with a damp cloth and wipe dry using a soft cloth.

Do not use chemical or abrasive cleaners as these may damage the surface finish.



## GUARANTEE

Consumer Statutory Rights Apply

Tel: +44 (0) 1264 365881  
Fax: +44 (0) 1264 356437  
Email: [info@croydex.co.uk](mailto:info@croydex.co.uk)  
Web: [www.croydex.com](http://www.croydex.com)

Printed material, designs and packaging are protected by copyright and design right.

Date Created: 29/06/21 REV 001

Visit [Plumb2u](http://Plumb2u.com)  
See product