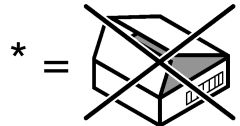
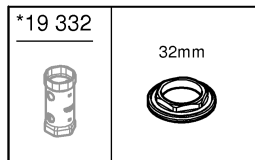
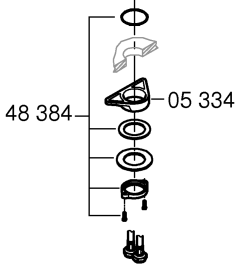
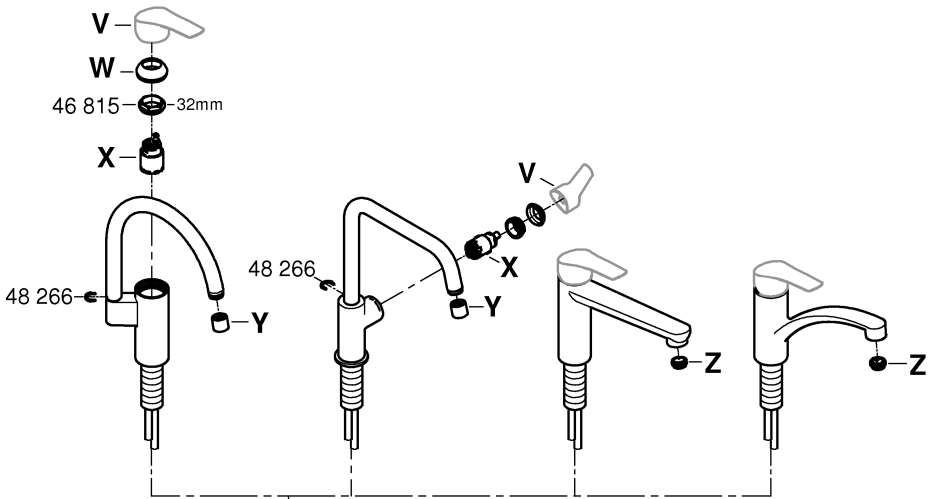




V	48 530	48 540	---	48 531
W	46 492	46 492	---	46 492
X	46 374	46 863	46 824 (F)	46 963
		46 824 (F)		

	25 l/min	15 l/min	13 l/min	11 l/min	9 l/min	(KSA)	(UAE)	(CN)
Y	48 557	48 418	---	---	101 044	48 419	48 419	---
Z	---	---	48 356	48 264	---	48 377	---	---

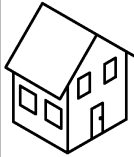




DIN EN
806

DIN EN
1717

DIN
1988



bar

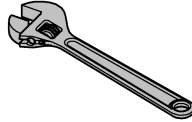
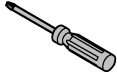
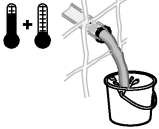


°C

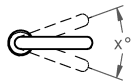
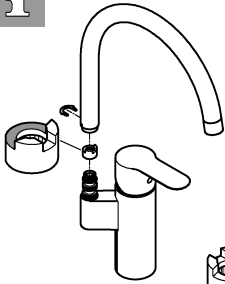
max.
10



max.
70°



32mm
*19 332

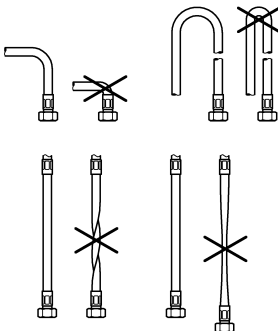
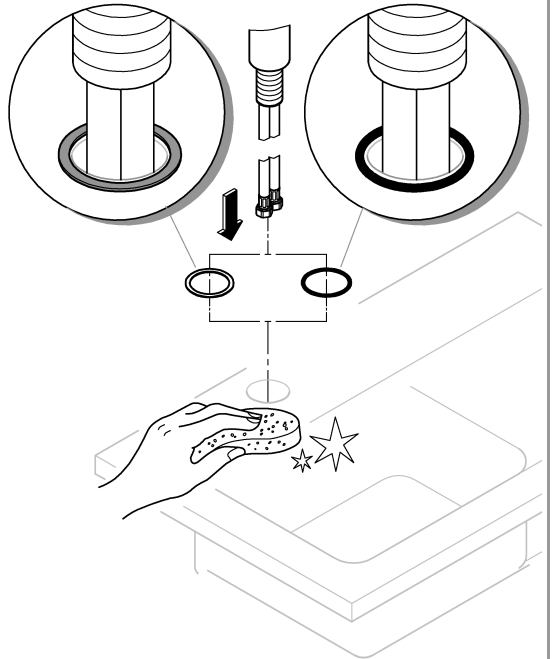


150°



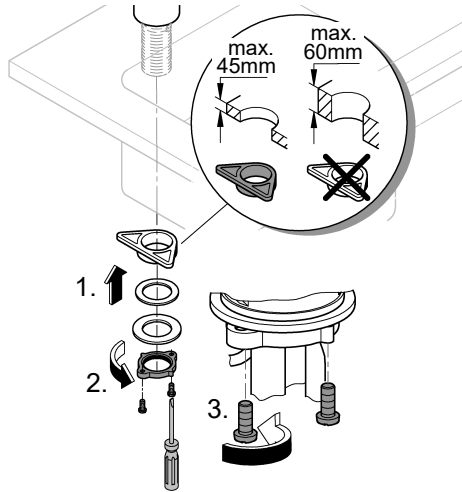
0°

1





2



3

