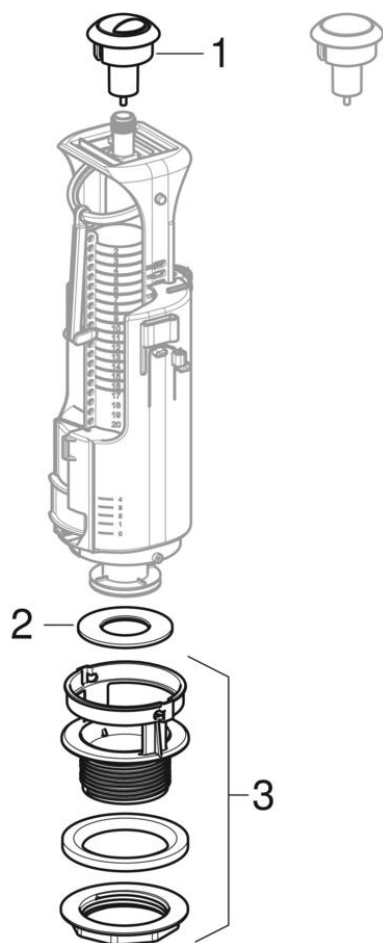


**Flush valves type 230, dual flush or stop-and-go flush**

2003 - 2019



**Brand** Geberit

**Type** Typ 230, Typ 230-330, Typ 230-340

**Characteristics**

Year of manufacture from	2003
Year of manufacture until	2019

**Valid for articles**

136.909.21.1 236.402.21.1

#	Art. no.	Description
1	238.501.21.1	Geberit actuator for flush valve types 230 and 240: =N/A, gloss chrome-plated
2	240.467.00.1	Geberit flat gasket
2	816.418.00.1	Geberit flat gasket for flush valve for exposed and concealed cistern: d=63mm