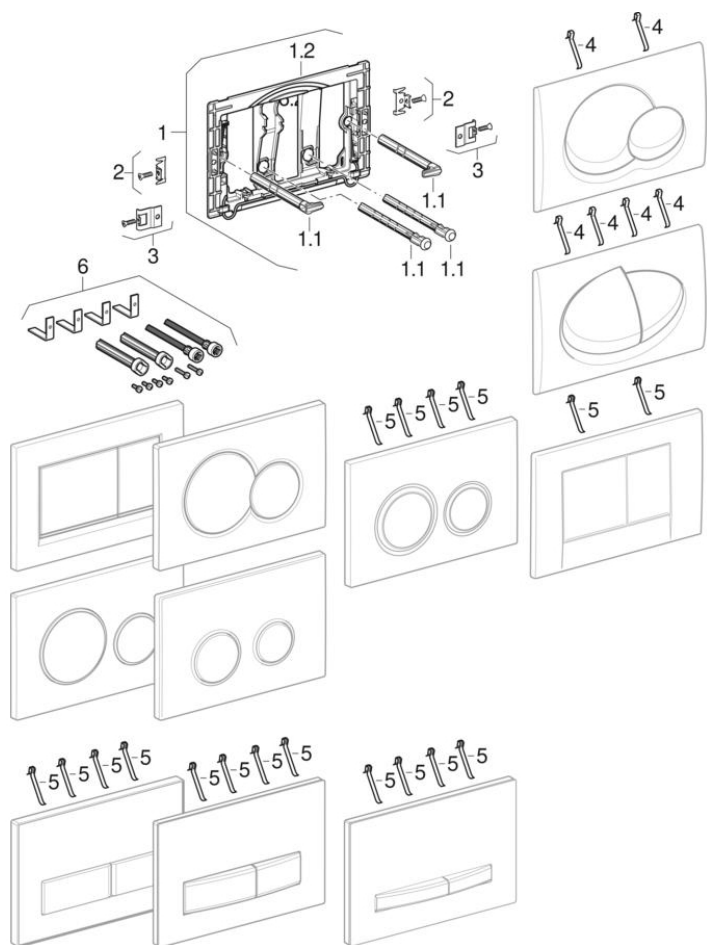


Flush plates Sigma, Samba, Bolero, Twist, for dual flush

2000 -



Brand Geberit

Type Bolero, Samba, Sigma01, Sigma20, Sigma21, Sigma30, Sigma50, Twist

Characteristics

Year of manufacture from	2000
Dimensions / Design	24.6 x 16.4 cm
Range	Samba, Bolero, Twist, Sigma01, Sigma20, Sigma30, Sigma50

Valid for articles

115.770.10.5	115.770.11.5	115.770.21.5	115.770.46.5
115.770.CG.5	115.770.DK.5	115.770.DT.5	115.770.DW.5
115.770.EP.5	115.770.FB.5	115.770.FR.5	115.770.GM.5
115.777.10.1	115.777.11.1	115.777.21.1	115.777.46.1
115.777.CG.1	115.777.DK.1	115.777.DT.1	115.777.DW.1
115.777.EP.1	115.777.FB.1	115.777.FR.1	115.777.GM.1
115.777.KB.1	115.778.KH.1	115.778.KJ.1	115.778.KK.1
115.778.KL.1	115.778.KM.1	115.778.KN.1	115.778.SN.1

115.780.21.1	115.780.46.1	115.781.SN.1	115.785.00.1
115.785.11.1	115.785.DW.1	115.785.EP.1	115.785.GH.1
115.785.SC.1	115.785.SD.1	115.785.SE.1	115.788.00.1
115.788.11.1	115.788.DW.1	115.788.EP.1	115.788.GH.1
115.788.SC.1	115.788.SD.1	115.788.SE.1	115.882.14.1
115.883.14.1	115.882.JT.1	115.883.JT.1	115.788.00.5
115.788.11.5	115.788.DW.5	115.788.EP.5	115.788.GH.5
115.788.SC.5	115.788.SD.5	115.788.SE.5	115.788.SQ.5
115.770.KA.5	115.789.21.5	115.670.00.2	115.671.00.2
115.672.00.2	115.650.00.1	115.651.00.1	115.652.00.1
115.650.JM.1	115.650.JV.1	115.650.JX.1	115.651.JM.1
115.651.JV.1	115.651.JX.1	115.652.JM.1	115.652.JV.1
115.652.JX.1	115.670.JM.2	115.670.JV.2	115.670.JX.2
115.671.JM.2	115.671.JV.2	115.671.JX.2	115.672.JM.2
115.672.JV.2	115.672.JX.2	115.770.JQ.5	115.788.JV.2
115.884.JV.1	115.884.JX.1	115.788.JX.2	115.650.SI.1
115.651.SI.1	115.652.SI.1	115.650.SJ.1	115.651.SJ.1
115.652.SJ.1	115.670.11.2	115.670.DW.2	115.671.11.2
115.671.DW.2	115.672.11.2	115.672.DW.2	115.882.11.1
115.882.01.1	115.882.DW.1	115.882.16.1	115.883.11.1
115.883.01.1	115.883.DW.1	115.883.16.1	115.770.DK.1
115.770.DW.1	115.770.EP.1	115.770.FK.1	115.770.GM.1
115.770.11.1	115.770.21.1	115.770.46.1	115.883.KH.1
115.883.KJ.1	115.883.KK.1	115.883.KL.1	115.883.KM.1
115.883.KN.1	115.770.10.1	115.770.45.1	115.770.81.1
115.770.BM.1	115.770.BN.1	115.770.BP.1	115.770.CG.1
115.770.CP.1	115.770.DT.1	115.770.FB.1	115.770.FN.1
115.770.FQ.1	115.770.FR.1	115.770.KB.1	115.772.21.1
115.777.45.1	115.777.81.1	115.777.BM.1	115.777.BN.1
115.777.BP.1	115.777.FK.1	115.777.FN.1	115.777.FQ.1
115.780.11.1	115.780.45.1	115.780.DT.1	115.780.GM.1
115.780.HC.1	115.780.KA.1	115.782.21.1	115.782.46.1
115.882.KH.1	115.882.KJ.1	115.882.KK.1	115.882.KL.1
115.882.KM.1	115.882.KN.1	115.882.SN.1	115.889.SN.1
115.788.21.5	115.770.LA.5	115.770.LB.5	115.884.SI.1

Visit Plumb2u

See product

115.884.SJ.1 115.884.TG.1 115.884.00.1 115.884.JM.1
 115.788.11.2 115.788.21.2 115.788.DW.2 115.788.GH.2
 115.788.SD.2 115.788.SQ.2 115.788.TG.2 115.788.JM.2
 115.788.00.2 115.883.JQ.1 115.882.JQ.1

Related spare parts

- Sigma concealed cisterns 12 cm (UP300)
- Overview flush plates and cover plates for Sigma concealed cisterns
- Sigma concealed cisterns 12 cm (UP320)
- Sigma concealed cisterns 8 cm, front actuation (UP720)

#	Art. no.	Description	Replacement for	Remarks
1	241.873.00.1	Geberit conversion set for flush plates Danceline	240.935.00.1, 241.875.00.1	
1.1	241.874.00.1	Geberit set of actuator rods for flush plate		From 2008
1.2	241.876.00.1	Geberit mounting frame for flush plates Sigma		From 2008
2	241.877.00.1	Geberit fastening material for flush plates Sigma and Delta (2 pc.)		For mounting frame Sigma from 2008
3	240.698.00.1	Geberit fastening material for vandal-resistant fastening (2 pc.)		
4	813.514.00.1	Geberit spring for flush plate		
5	241.295.00.1	Geberit set of springs for flush plate (10 pc.)		
6	240.938.00.1	Geberit extension set for Sigma, Omega and Kappa concealed cisterns		