

ActivFlo

Product Guide

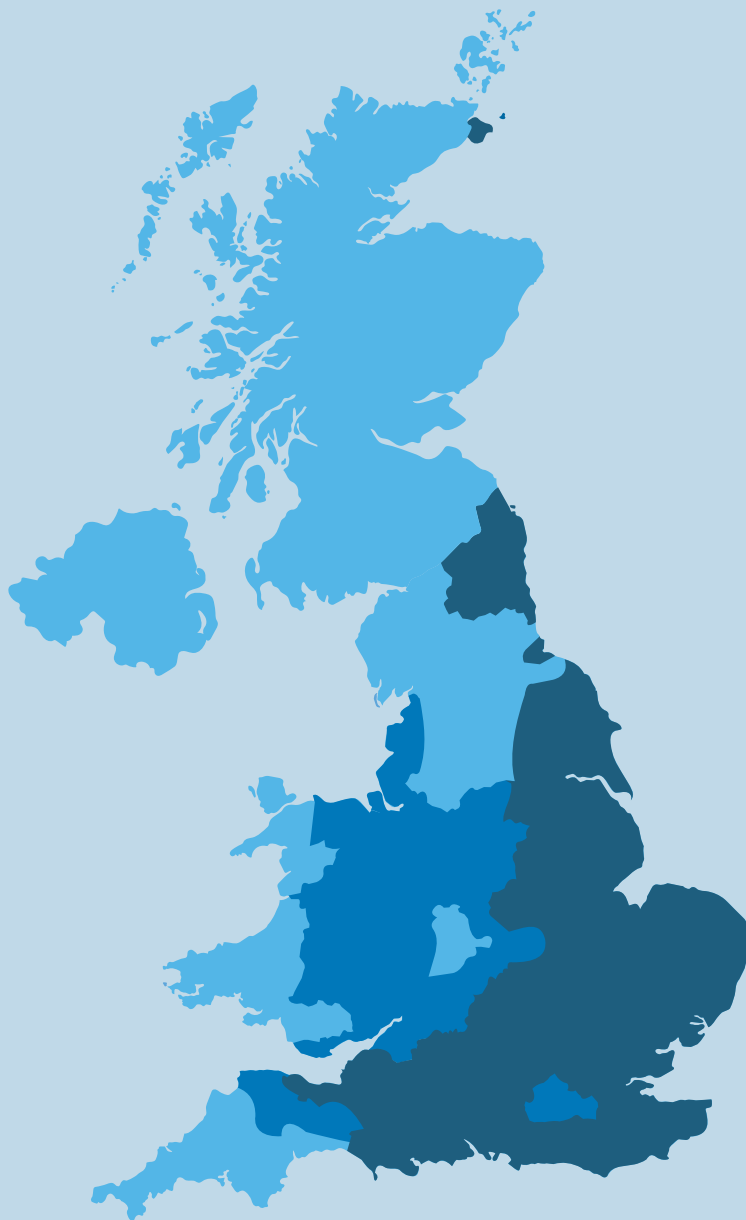
The Domestic & Commercial Solution to Hard Water

AVAILABLE
inta
FROM



[Visit Plumb2u](#)

[See product](#)



UK Water Hardness Map

- Soft water - 0 to 100 mg/l as calcium carbonate
- Hard water - 100 to 200 mg/l as calcium carbonate
- Very hard water - 200+ mg/l as calcium carbonate

Unless you live in Scotland, the Lakes, the western reaches of Wales or Northern Ireland, you're in a hard water area. And that means that up until now, you probably believe that scaling of your kettle, shower and tap heads is something you just have to live with.

Well, here's some good news. You don't!

In the past, the only method of dealing with hard water was to invest many hundreds, perhaps even thousands of pounds in installing a water softening device. These were bulky and required regular infusions of salt to keep them working effectively.

Also, when installing a water softener, a separate drinking water line must be maintained in order to avoid excessive sodium consumption.

Now, there's no need for such an expensive and complicated approach, because technology has moved on.

ActivFlo is the new, inexpensive way to condition the water coming into your house. It stops scale formation in every part of your water system. It even helps remove existing scale.



ActivFlo Range of Domestic & Commercial Water Conditioners

Introducing the ActivFlo range of domestic and commercial water conditioners available from Inta.

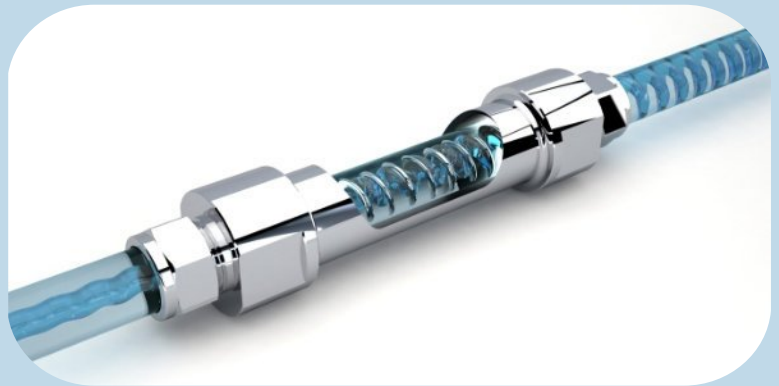
ActivFlo features the latest technology in the battle against limescale build-up in domestic and commercial water systems.

ActivFlo is available complete with a range of different connection types and sizes to suit any application where the protection against limescale build up is paramount.

How does ActivFlo work?

In hard water, there is excessive calcium and bi-carbonate ions which bind together during heat or pressure changes to form calcium carbonate hard scale.

As this water passes through the ActivFlo, two things happen. It's exposed to a small electrical charge on the surface of the alloy and it also experiences a drop in pressure, caused by the alloy's shape. These actions cause the calcium and bi-carbonate to form an insoluble aragonite crystal. These crystals, microscopic in size, are smoother and do not have the same bonding properties as calcium carbonate. This means that they can't stick to pipework, heating elements, shower heads etc. They remain suspended in the water and ultimately flow out through the drain.



For more information about how ActivFlo works, please visit <https://www.intatec.co.uk/videos>.

And because ActivFlo is not a filter, the water retains all its minerals, making it just as good to drink.

Already have limescale in your system? No problem.....

ActivFlo treatment improves the solubility of water, freeing up space to absorb existing calcium carbon deposits. Conditioned water will slowly absorb existing limescale deposits over time. We are not adding or removing anything from the water. The calcium is still in the water, but is no longer in solution. Instead, it was precipitated out into suspension in its carbonate form.

The speed of the process depends on a number of factors, such as the amount of scale in the system, volume of water used, and the water flow

However, over a relatively short period, any existing deposits will start to soften and can be easily removed if they are in exposed situations like shower heads, taps etc.

In the hidden parts of your water system like electrical elements etc, the particles are gradually released and ultimately flow away.

What are the benefits of using ActivFlo?

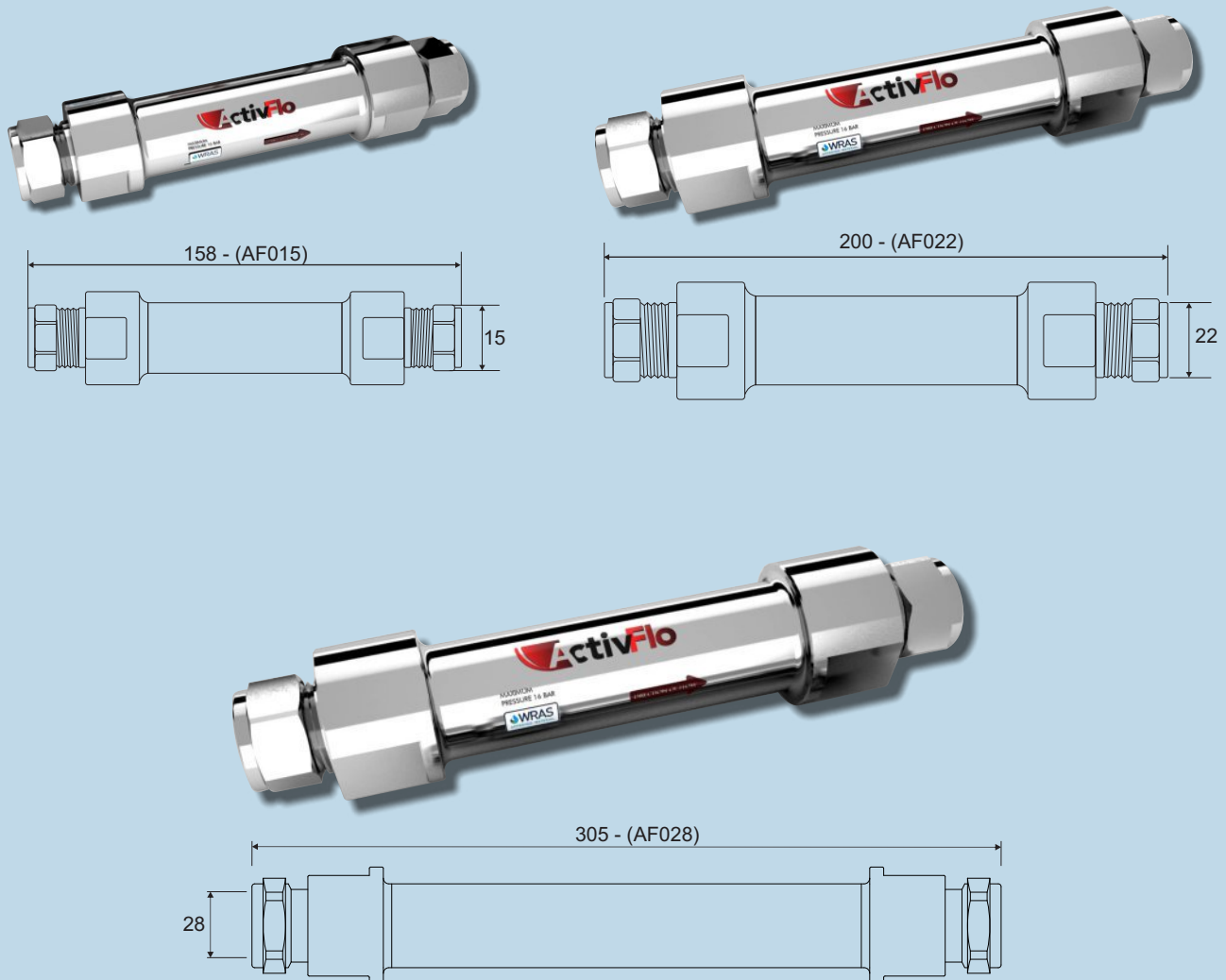
- ActivFlo supplies whole house protection
- Actively reduces the buildup of limescale inside pipework, heating components and appliances throughout domestic properties
- Improves system efficiency
- No maintenance required
- No electrical connections needed
- 15 year manufacturing warranty
- Helps to reduce fuel and maintenance costs

Specification guide for Domestic sizes

Below, you will find the technical details required to enable you to choose a suitable ActivFlo for your property. Firstly, the incoming flow rate to the property must be checked. Once this is known, select the appropriate model, so that the flow rate in your property is within the optimum flow range shown.

Domestic part code	AF015	AF022	AF028
Connection	15mm compression	22mm compression	28mm compression
Optimum flow rate	3 - 22 ltrs/min	22 - 45 ltrs/min	45 - 74 ltrs/min
Domestic part code	AF012	AF034	AF010
Connection	1/2" bsp	3/4" bsp	1" bsp
Optimum flow range	3 - 22 ltrs/min	22 - 45 ltrs/min	45 - 74 ltrs/min

* To activate the warranty, the product must be registered with ActivTec within one month of installation.



Specification guide for Commercial sizes

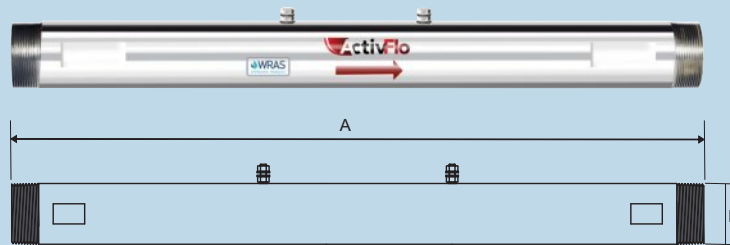
Select the right ActivFlo water conditioner by matching it to the water flow of your installation using the matrix below. Choose the model where the actual flow rate is as close as possible to the optimum rates shown. Select carefully as choosing the incorrect water conditioner may impair the functionality of the unit.

ActivFlo part code	AF0114	AF0112	AF002
Body Connection	1 1/4" male bsp	1 1/2" male bsp	2" male bsp
Optimum flow rate	75-120 ltrs/min	120-170 ltrs/min	170-260 ltrs/min

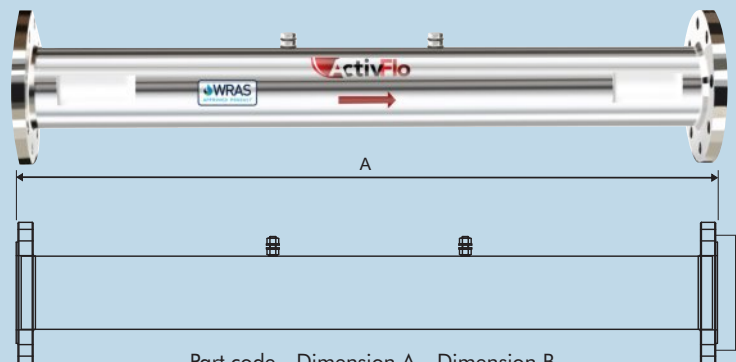
ActivFlo part code	AF0025	AF003	AF004
Body Connection	2 1/2" male bsp	3" flanged	4" flanged
Optimum flow rate	260-350 ltrs/min	360-680 ltrs/min	680-1260 ltrs/min

ActivFlo part code	AF005	AF006
Body Connection	5" flanged	6" flanged
Optimum flow rate	1260-1820 ltrs/min	1825-3500 ltrs/min

* To activate the warranty, the product must be registered with ActivTec within one month of installation.



Part code	Dimension A	Dimension B
AF0114	550mm	1 1/4" bsp
AF0112	550mm	1 1/2" bsp
AF002	550mm	2" bsp
AF0025	550mm	2 1/2" bsp



Part code	Dimension A	Dimension B
AF003	850mm	3" flanged
AF004	850mm	4" flanged
AF005	850mm	5" flanged
AF006	850mm	6" flanged

ActivFlo Pro Impressed Catalytic Water Conditioners

Introducing the ActivFlo Pro Range of Impressed Current Catalytic Water conditioners available from Inta, suitable for Industrial, Commercial and Agricultural operations.

Featuring the latest technology to help in the battle against limescale build-up in establishments and systems.

Supplied as standard with male BSP or flanged connections to suit most commercial pipework sizes and a low voltage power regulator for an increased performance level.

The power supply delivers a permanent electrical field which is preferred by many water treatment companies, as the field can be measured and the treated water stays treated for longer. Operation of ActivFlo Pro can also be incorporated into modern Building Management systems.

In every other respect, ActivFlo Pro works in exactly the same way.

The device delivers an electrical field within the chamber casing and turbulence of the water through a specially designed catalytic chamber. The effect is to make the calcium carbonate crystals reform as the much smaller and smoother aragonite crystal.

The benefits for commercial applications, are of course greater thanks to the improved quality of the water.

Take a look at the before and after photographs and you can see that the ActivFlo Pro Conditioner eliminates the cohesion that exists between the mineral particles in the water.

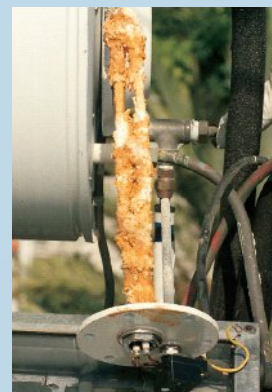
The mineral particles in the photographs have been precipitated from 'the same water sample' with a reading of 750mg/l hardness.

Note how the particles are bound together before the ActivFlo Pro treatment and "separated" afterwards.

Scientific analysis has shown that the mineral particle size has reduced from 100-400 microns for untreated water, to 30 microns in the treated water.

The major advantage of using ActivFlo Pro is that the treated water retains its conditioned state, compared with the more usual magnetic water treatment devices.

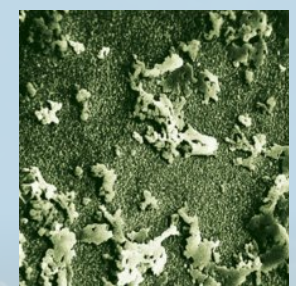
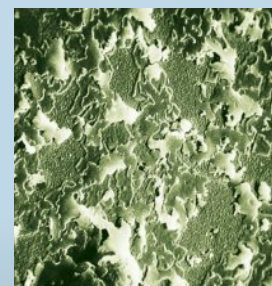
In addition, after treatment, the increased solubility of the water will slowly loosen and dissolve existing scale from the system. Once clean, the system stays clean. When installed and maintained correctly, ActivFlo Pro will also last a lifetime. We support the product with a fifteen year warranty as well as a money back guarantee.



Before



After



Electron microscope 1440 x magnification

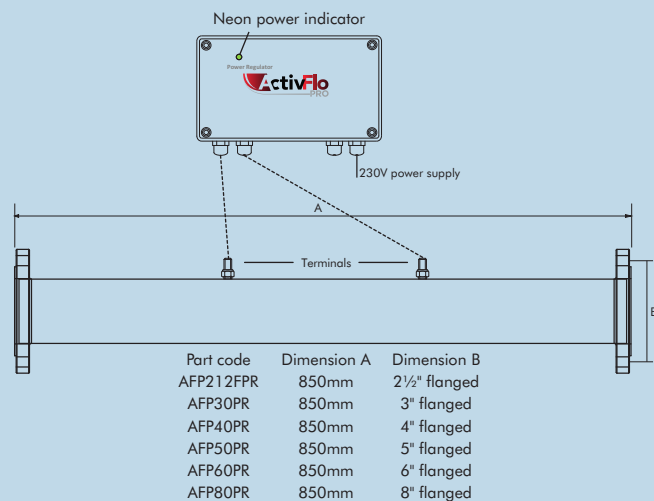
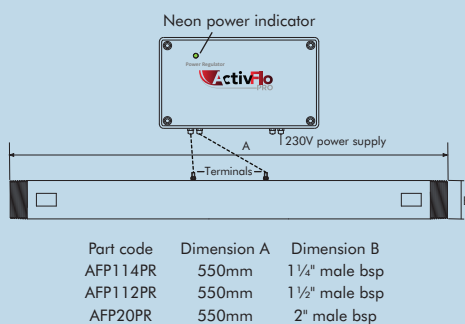
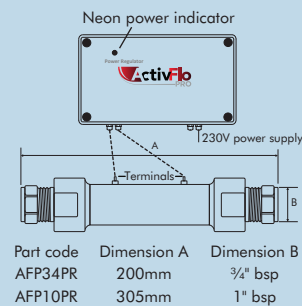
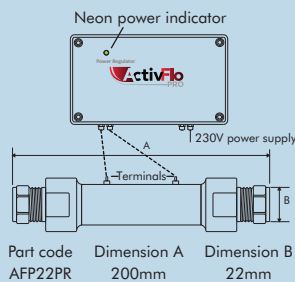
e&oe

Specification guide for ActivFlo Pro

Select the right ActivFlo Pro water conditioner by matching it to the water flow of your installation, using the matrix below. Select carefully as choosing the incorrect water conditioner may impair the functionality of the unit. ActivFlo Pro requires a 230v AC electrical connection.

ActivFlo Pro part code	AFP22 PR	AFP34 PR	AFP10 PR
Body connection	22mm pipe size connection, ActivFlo Pro & power regulator	3/4" male ActivFlo Pro & power regulator	1" male ActivFlo Pro & power regulator
Optimum flow rate	22-45 ltrs/min	22-45 ltrs/min	45-74 ltrs/min
ActivFlo Pro part code	AFP14 PR	AFP112 PR	AFP20 PR
Body connection	1 1/4" male bsp ActivFlo Pro & power regulator	1 1/2" male bsp ActivFlo Pro & power regulator	2" male bsp ActivFlo Pro & power regulator
Optimum flow rate	75-120 ltrs/min	120-170 ltrs/min	170-260 ltrs/min
ActivFlo Pro part code	AFP212 FPR	AFP30 FPR	AFP40 FPR
Body connection	2 1/2" flanged ActivFlo Pro & power regulator	3" flanged ActivFlo Pro & power regulator	4" flanged ActivFlo Pro & power regulator
Optimum flow rate	260-350 ltrs/min	360-680 ltrs/min	680-1260 ltrs/min
ActivFlo Pro part code	AFP50 FPR	AFP60 FPR	AFP80 FPR
Body connection	5" flanged ActivFlo Pro & power regulator	6" flanged ActivFlo Pro & power regulator	8" flanged ActivFlo Pro & power regulator
Optimum flow rate	1260-1820 ltrs/min	1825-3500 ltrs/min	3500-5600 ltrs/min

* To activate the warranty, the product must be registered with ActivTec within one month of installation.



Visit [Plumb2u](https://www.plumb2u.com)

See product

page 7



The Domestic & Commercial Solution to Hard Water



Airfield Industrial Estate
Hixon
Staffordshire
ST18 0PF

w: www.activ-tec.com
e: sales@activ-tec.com

t: 01889 272180

[Visit Plumb2u](#)

[See product](#)

e&oe 01/20