

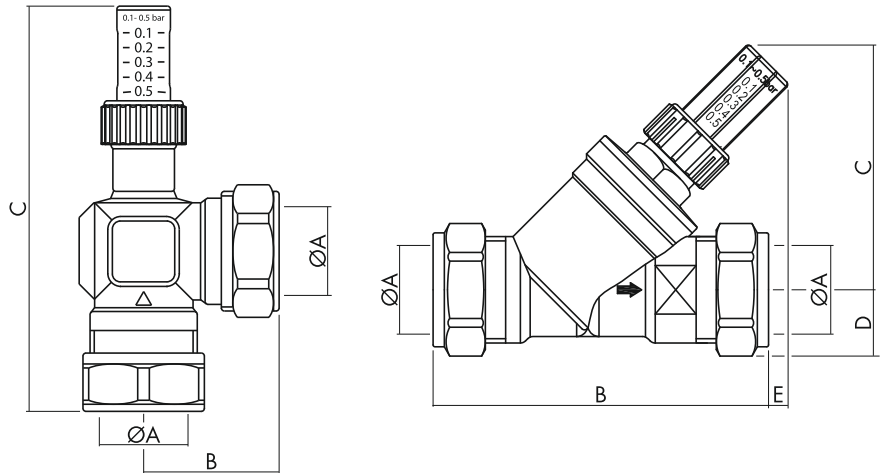


Product

ABPA401022 - Automatic differential by-pass valve angled 22mm
ABPS402022 - Automatic differential by-pass valve straight 22mm
ABPA28CP - Automatic differential by-pass valve angled 28mm
ABPS28CP - Automatic differential by-pass valve straight 28mm

Technical Specification

Max Inlet Pressure (dynamic): 10 Bar
Max Inlet Temperature: 100 °C
Flow Capacity: 1 to 5m³/hour
Differential Pressure Range: 0.1 to 0.5 Bar



Product Code	ØA	B	C	D	E
ABPA401022	22	36	107	-	-
APBA28CP	28	38.5	104.8	-	-
ABPS402022	22	90	66.5	16.5	5
APBS28CP	28	77	69	21.75	-

Additional Information

Automatically stabilises flow through the system

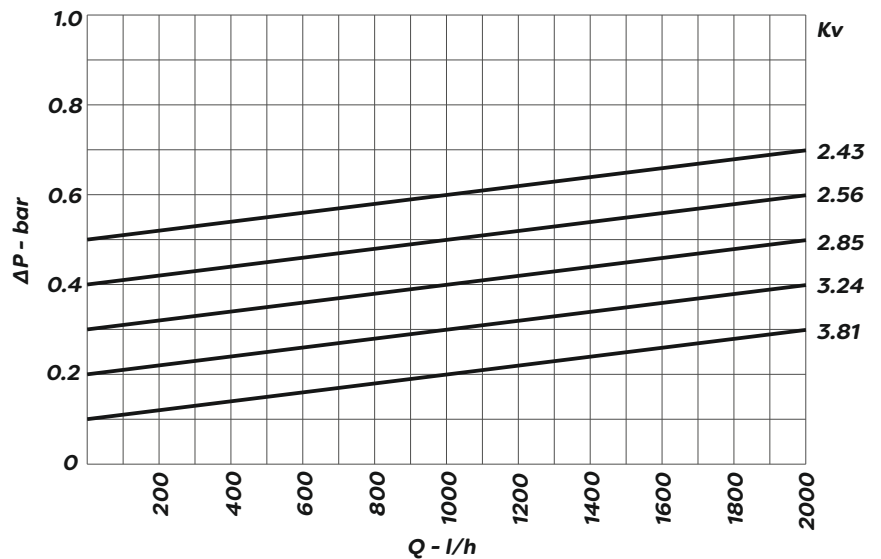
Prevents the pump from pushing against a closed head, protecting the system

Clear, easily adjustable dial

Available in 22 or 28mm in a straight or angled style

Allows the system to still circulate, even if the radiators are closed

Flow chart and Kv values



Visit [Plumb2u](https://www.plumb2u.com)

Intatec, Airfield Industrial Estate, Hixon, Stafford, ST18 0PF
T. 01889 272180 F. 01889 272181 E. sales@intatec.co.uk
www.intatec.co.uk

See product