

Description

The pipe coil is placed on the Pipe Decoiler to aid the pipe to uncoil efficiently and effectively, allowing for the pipe to be laid by a single person whilst improving the installers working conditions, and reducing labour cost. The Pipe Decoiler is made of black painted steel sections, which are connected using bearing therefore it is easy to assemble and dismantle.

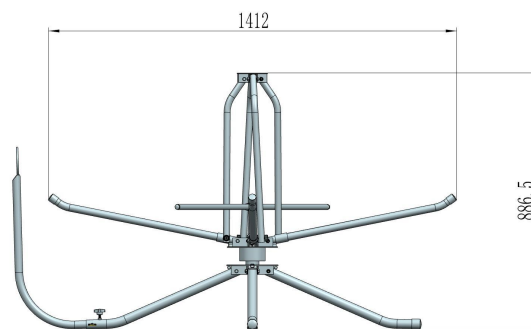


Product Code	Description
ZL-1235E	Pipe Decoiler

Technical data

- Min. Inner diameter of a coil – 20cm
- Max. Outer diameter of a coil – 130cm
- Max.Height after assembly-88.65cm

Dimension



Benefits

- Can be used with all types and sizes of underfloor heating pipes.
- Can be used by a single person
- Time efficient • Easy to use
- Improves working conditions
- Reduces labour costs

Visit [Plumb2u](https://www.plumb2u.com)

See product