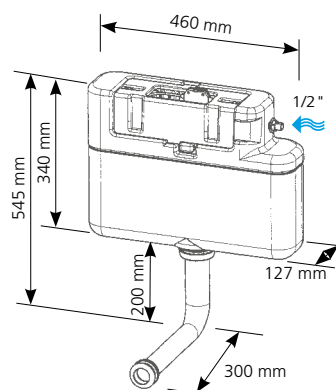


## > Concealed cistern INTRA CABLE Side inlet



### DESCRIPTION

- For back to wall WC
- Recessed with an access cover inside wall or furniture
- Low level installation
- Wall or furniture fixing
- Remote cable flushing
- Bright chrome dual flush top or front flushing
- Cistern and lid made from HDPE
- 6 litres insulated cistern. Conforms to EN 14055 class 2 flushing standards
- Outer anti-condensation PSE insulation
- Dual flush cable outlet valve, 6/4l. factory preset. WRAS and NF approved
- Quiet fill inlet valve
- Side inlet supply on the right
- 1/2" brass water inlet connection
- Height and depth adjustable supply pipe with pan seal
- Can be adapted for less able use



### TEXT FOR TENDERS:

**INTRA CABLE Side inlet**  
Ref.: 31 0148 10

Concealed cistern for floor mounted, back to wall WC. WRAS and NF approved components, 10-year guarantee. Cable flushing, bright chrome dual flush top or front flushing. 6 litres insulated cistern equipped with a dual flush outlet valve and a quiet fill inlet valve. Water inlet connection on the right side of the cistern with 1/2" brass tail. Dimensions height 340 mm, width 460 mm and depth 127 mm.

Complete delivery with fixing and connection accessories.

	Ref.	Barcode	Packing	Packing			Pallet quantity
				Nb	M <sup>3</sup>	Kg	
INTRA CABLE Side inlet	31 0148 10	3 24723 002194 9	Carton	1	0,029	2,82	84

### OPTIONS

Flushing .....p. 36



For more information:  
Web: [siamp.co.uk](http://siamp.co.uk)

Visit **Plumb2u**

See product