

# SP600

## Smart Plug

The SALUS smart plug is inserted directly into an existing power outlet. It gives Smart phone control of the device plugged into the smart plug via the SALUS connected smart phone app. The SALUS smart plug must be used in conjunction with the SALUS universal gateway.



### Features

- Simple ON/OFF function
- Smart Phone App control
- 40m communication range
- Zigbee 2.4GHz
- IP rating IP30
- Simple to install and easy to use
- Input Voltage 230 V AC, +/-10% , 50Hz
- Switching capacity 230VAC, 13A resistive
- Standby Power consumption 2.0W (Co-ordinator, Relay Off)

**Visit Plumb2u**

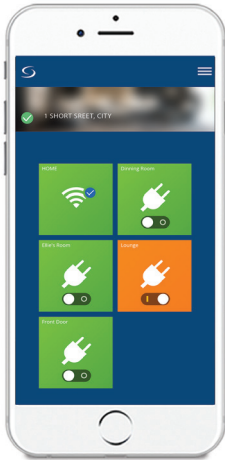
**See product**

 **SALUS**<sup>®</sup>  
CONTROLS

[www.salus-smarthome.com](http://www.salus-smarthome.com)

# Smart Home App

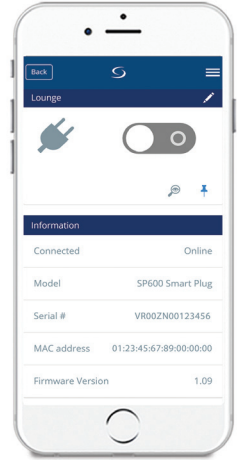
The Smart Home App available on IOS and Android. With easy to use functions and simple to add heating schedules. It is easy to control your individual products settings and heating from anywhere via Smartphone, Tablet or PC using your existing router.



Easy to install and control.

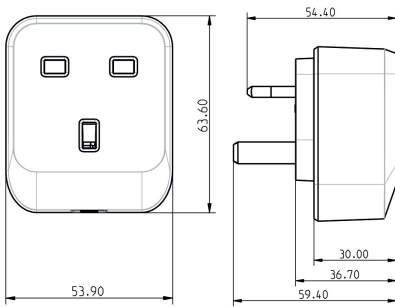


Simply click ON or OFF.



Quick and easy to add schedules.

## Technical information



|                           |   |
|---------------------------|---|
| Product name              | Smart Plug  |
| Dimensions                | 42/42/40 in mm (L/B/H)  |
| Input Voltage             | 230 V AC, +/-10% , 50Hz   |
| Switching capacity        | 230VAC, 13A resistive   |
| Standby Power consumption | 2.0W (Co-ordinator, Relay Off)  |
| USB Output                | 5VDC +/-10%, 2A (max)   |
| Type                      | On/Off switching Plug unit with power consumption measurement at AC outlet terminal. Power socket with Live, Neutra and Ground.                       |
| Plug and Socket type      | 2-Pin EU Schuko plug and Schuko socket  |
| Energy measurement        | Report data in KWh  |
| Data reporting rate       | Fully configurable from 2s - 4h   |
| Frequency                 | 2405--2480 MHz license-free band, (Comply with IEEE802.15.4)  |
| Transmission Power        | Max +14dBm meet R&TTE regulation<br>Receiving sensitivity -98dBm (Condition / Note: PER = 1% PER, 20bytes packet defined by IEEE 802.15.4 Boost mode) |
| Communication range       | Min 40m LOS   |
| Communication protocol    | ZigBee Pro with HA 1.2 Profile but also support Simple meter clusters ( SE)   |
| IP Rating                 | IP30  |

Visit **Plumb2u**

See product

[www.salus-smarthome.com](http://www.salus-smarthome.com)