

SANI ACCESS® 1 2 3

Products Ref: 1900/1901/1902

Designed to provide easy access for en-suite bathroom applications, convenient covers allow you to service and maintain the macerator without having to remove it.

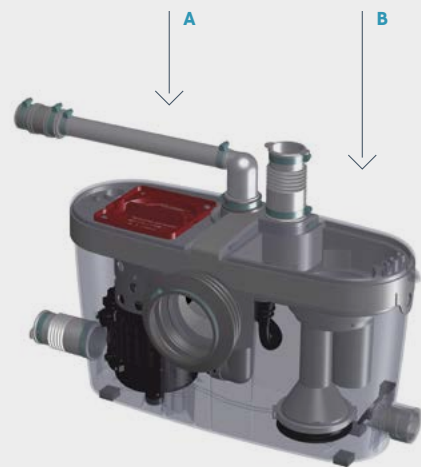
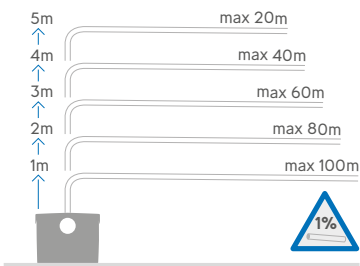
Suitable for new installations.

Why choose this product?

- Easy service access
- Suitable for one WC only
- Easy maintenance without removal of unit
- Suitable for new installations
- Quiet technology

Saniaccess is primarily intended for new installations as the inlet and outlet positions vary from other Saniflo models.

Vertical/horizontal performance



Double access:

- A Direct access to the basket in case of blockage due to misuse
- B Direct access to electric components



Discharge Pipework
22 / 28 / 32 mm

Motor Power
400 Watts

Voltages
220-240 V/50 Hz

Working Waste Water Temp
35°C

Product Weight
Saniaccess 1 and 2 - 5.8kg
Saniaccess 3 - 6.4kg

Inlet Pipework
40mm

IP Rating
IP44

Visit [Plumb2u](#)

See product

SANI ACCESS® 1



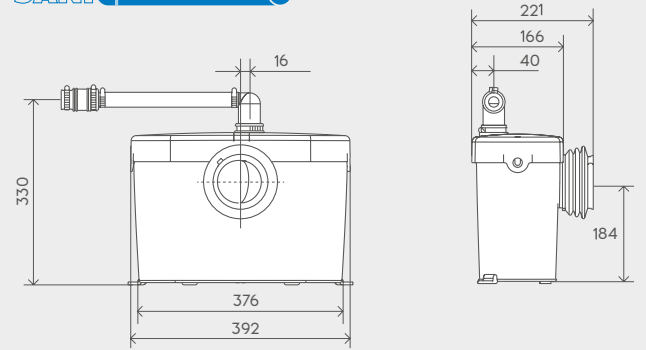
SANI ACCESS® 2



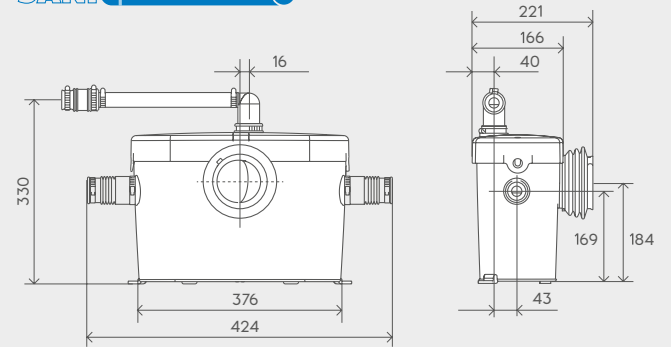
SANI ACCESS® 3



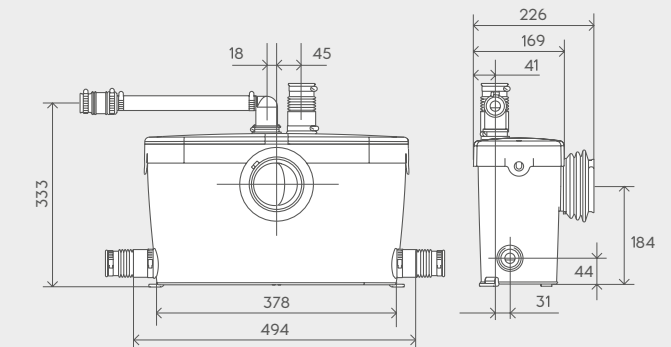
SANI ACCESS® 1



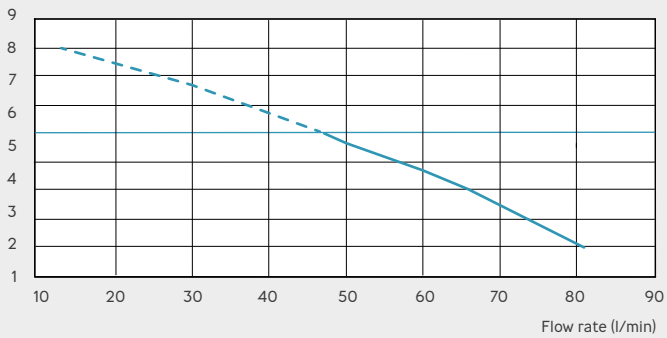
SANI ACCESS® 2



SANI ACCESS® 3



Discharge height (m)



Visit [Plumb2u](https://www.plumb2u.com)

See product