

Sanicom 2

Sanicom 2 is an automatic powerful grey water lifting station that has two powerful motors and can be used in busy commercial applications as the second motor acts as a failsafe backup. Suitable for multiple connections this unit can handle temperatures up to 90 degrees for short periods of time.



15 m



PRODUCT BENEFITS

- Grey water lifting station
- Floor standing for easy installation
- Easily accessibility for maintenance
- 2 side inlets with outer diameter 40/50/80
- 2 pumps operate alternately for more even use
- Remote control box comes as standard
- Alarm can be fitted if required

PACKAGING

Sanicom 2, 2 non-return valves, control unit (2 m cable)

DELIVERED AS STANDARD

Classic control box

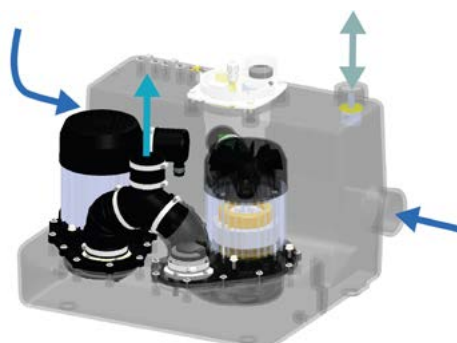


OPTIONAL EXTRAS

Wired, audible and visual alarm box
Barcode: 3308815084107
Product code: 30521



CONNECTIONS



External inlet diameter: 40/50/80 mm

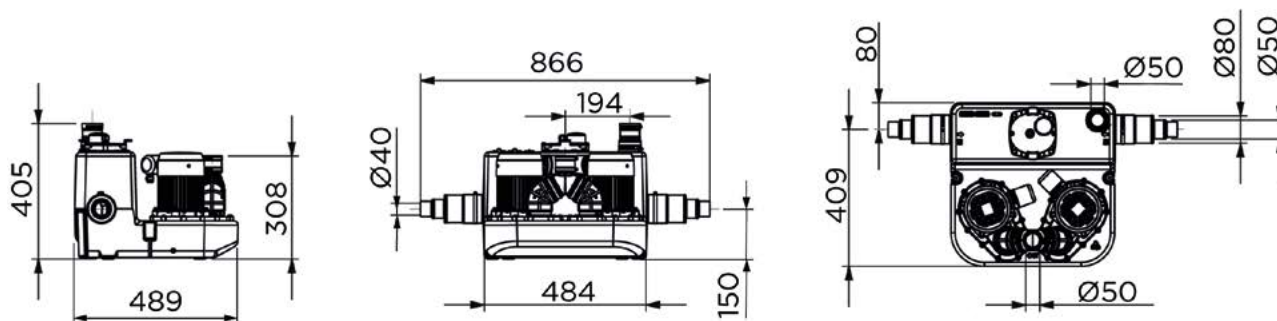
External discharge diameter: 50 mm

External ventilation diameter: 50 mm

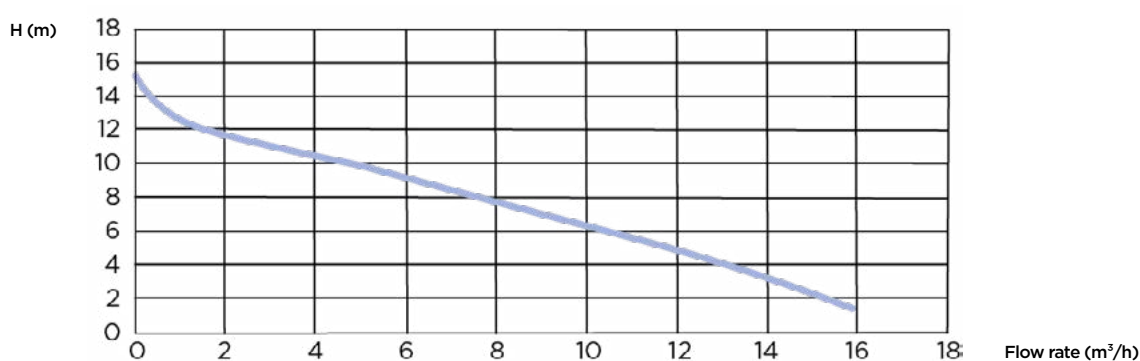
Visit [Plumb2u](https://www.plumb2u.com)

See product

DIMENSIONS



CURVE



	Sanicom 2
Type of control box	Classic
Material	
Tank	PE
Pump housing	PA 12 GF
Motor housing	Aluminium
Impeller	PA 6 GF
Electrical features	
Voltage (V)	230
Frequency (Hz)	50-60
Power consumption P1 (W)	1500
Power output P2 (W)	1050
IP rating	IPX4
Hydraulics	
Total head (m)	15
Max. flow rate (m³/h)	16
External inlet diameter (mm)	40/50/80
External discharge diameter (mm)	50
External ventilation diameter (mm)	50
Total volume (L)	34
Useable volume (L)	13
ON level /OFF level (mm)	145/60
Alarm level (mm)	215
Particle size (mm)	8
Max. temperature of the pumped liquid (5 min)	90°C
Type of impeller	multi-channel
Type of activation	pneumatic
Identification and logistics	
Gross weight (kg)	25
Barcode	3308815082868
Product code	30004

Visit [Plumb2u](https://www.plumb2u.com)

See product