



Product Ref: 6003

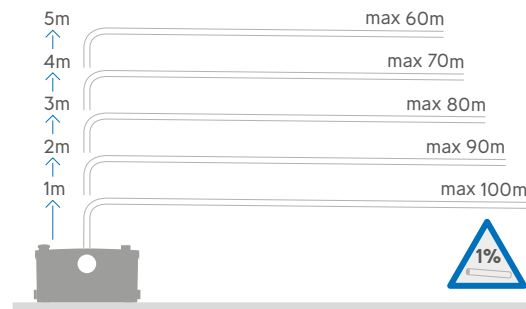
The Saniplus Up enables you to install an additional bathroom with ease. With two inlets and a greater tank capacity, the Saniplus Up can easily deal with a WC, wash basin, bidet and even the highest output power showers.

NEW

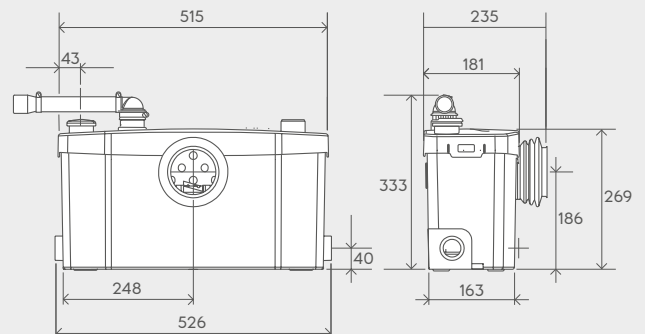
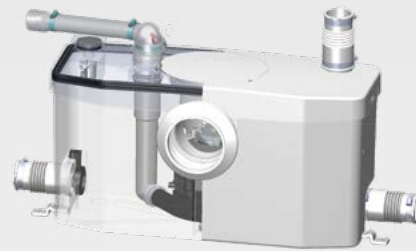
Why choose this product?

- One unit deals with the waste from an additional bathroom
- Works with high output power showers
- Two side inlets and a greater tank capacity
- Easy access for servicing and maintenance
- No need to change the pipework - replaces existing Saniflo products
- Improved design of casing

Vertical/horizontal performance



210mm depth required behind the WC



Discharge Pipework
22 / 28 / 32mm

Product Weight
6.4kg

Motor Power
400 Watts

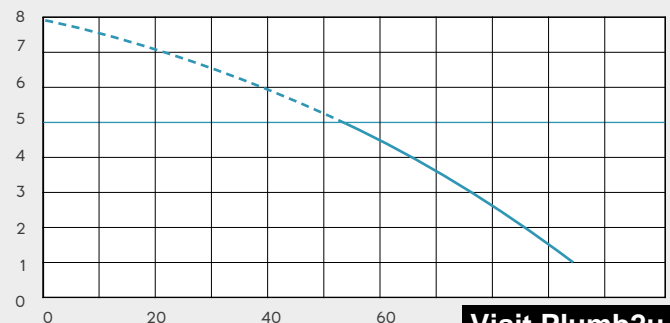
Inlet Pipework
40mm

Voltages
220-240 V/50 Hz

IP Rating
IP44

Working Waste Water Temp
35°C

Discharge height (m)



Visit [Plumb2u](https://www.plumb2u.com)

See product