

APPLICATIONS



PUMPING DISTANCE



WARRANTY



Product Code:
6110

Barcode:
Glass version:
EAN 3308815074115



SANIWALL Pro UP with glass casing



SANIWALL Pro UP version for tiling

SANIWALL[®] Pro UP

GLASS-CLAD VERSION



The solution: (macerator, frame and glass cladding) **to install a wall-hung WC (not included).**

Easy maintenance double access to the unit.

VERSION FOR TILING



The solution (macerator and frame) **to install a wall-hung WC (not included).**

Magnetic tabs provided to create a **removable panel** for maintenance access.

Easy maintenance double access to the unit.



The solution (macerator, GROHE[®] support frame and glass cladding) **elegant and contemporary design.**

Low noise level: 47dB(A).



The solution to install a **wall-hung WC** that fits perfectly into a **tiled room.**

Low noise level: 47dB(A).

PACKAGING

Saniwall Pro Up (Glass)
Support frame and GROHE[®] cistern technology
Glass cladding
Non-return valve
Connectors

PACKAGING

Saniwall Pro Up (Tiled)
Support frame and GROHE[®] cistern technology
Magnetic tabs
Non-return valve
Connectors

GLASS CLADDING

Premium design
Removable upper part for easy maintenance:
- Without dismantling the bowl
- Without disconnecting the macerator

REMOVABLE HATCH

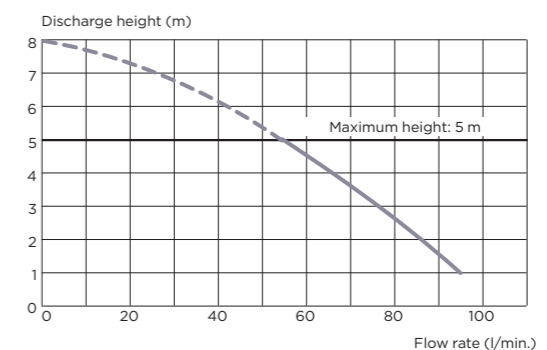
Cutting template
Magnetic tabs allow a removable hatch to be made for maintenance access



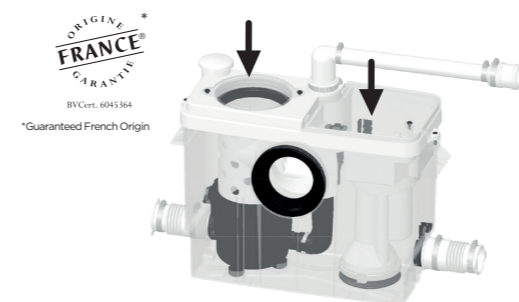
TECHNICAL FEATURES

Number of inlets available	3
Ø inlet	40 mm
Ø discharge pipework	22/28/32 mm
Motor power	400W
Voltage	220-240V/50Hz
Electrical class	Single phase
Shower tray height	15 cm
Sound level	47dB(A)
Weight	40 kg with glass 30 kg without glass

PUMP CURVE



DOUBLE ACCESS TO THE PRODUCT



- ➔ Direct access to the basket in the event of a blockage due to improper use of the appliance
- ➔ Direct access to the electrical device to replace used parts

SUPPORT FRAME WITH GROHE CISTERN TECHNOLOGY

Reduced width: 500 mm
Tank: equipped with a double flush 3 litre / 6 litre
Quiet and easy to maintain flushing system
Chrome flush plate

Product Code:
6111

Barcode
Tiled version:
EAN 3308815076096

AVAILABLE IN
TILED VERSION

Supplied with magnetic tabs to install a removable hatch.

